

Additional Guidance

- To maintain its good condition, we recommend dusting your Table Lamp with a soft dry cloth. Avoid the use of any abrasive materials; they may affect its finish and therefore void your warranty.
- Waste electrical products should not be disposed of within household rubbish. Please recycle where facilities exist and check with your Local Authority or retailer for recycling advice.
- **This luminaire contains a non-replaceable light source.** The light source of this product is integrated and **cannot be replaced.** When the light source reaches the end of its life, the **entire luminaire must be replaced.**
- This Lamp is IP44 rated. Class III

Product Information Sheet – Lamp Model WSLS01

Light source type: LED

Replaceable light source: No

Light Colour: Warm White | Cool White | Bright White

Correlated colour temperature: 3000 k | 4000 k | 5000 k

Energy Efficiency Rating: F | E | F

Useful luminous flux: 204 | 289 | 233

Colour rendering index (CRI): 86 | 87 | 85

Energy consumption: 2.2 kWh/1000h

On-mode power consumption: 2.2 W

Beam angle: 360°

Dimmable: Yes

Bulb Lifetime: L70 20,000 h

Charging Time: 6-8 Hours

Charged Time: Up to 10 hours

Battery: Li-ion 2200 mAh

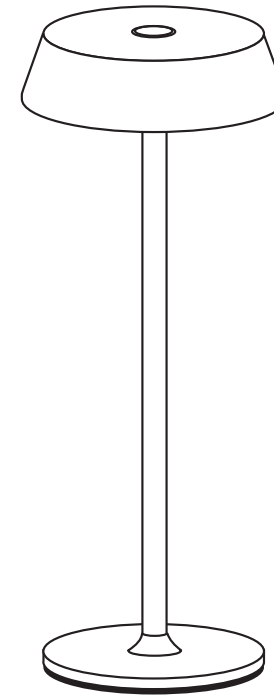
Cordless: Yes

Energy rating varies from Class E to Class F depending on the selected colour temperature.

Garden Trading®

Winstone Rechargeable Table Lamp Thin Carbon Installation Instructions

Please read through these instructions carefully and retain them for future reference.



Safety Information:

1. If your new Table Lamp's external flexible cable on the charger appears damaged on arrival, it might be unsafe. Contact Garden Trading for a replacement.
2. Place your Table Lamp on a flat, stable horizontal surface, positioning its cable carefully to avoid creating a trip hazard.
3. When charging your Table Lamp, it should be connected to a power supply with a protected 5-amp fuse or equivalent circuit breaker.
4. Do not cover your Table Lamp when in use.
5. This product is not a toy and should be kept away from children.
6. This product is suitable for indoor and outdoor use.

Please note: This item must be charged and stored indoors.

Garden Trading®

gardentrading.co.uk

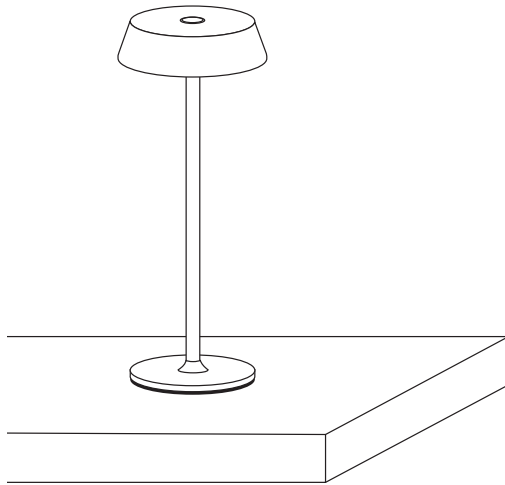
customerservices@gardentrading.co.uk

TGTC, Hargreaves Road, Groundwell Industrial Estate, Swindon, SN25 5AZ

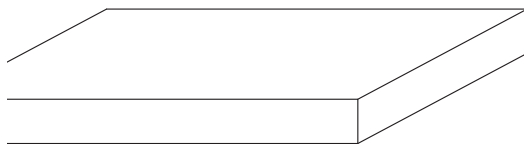
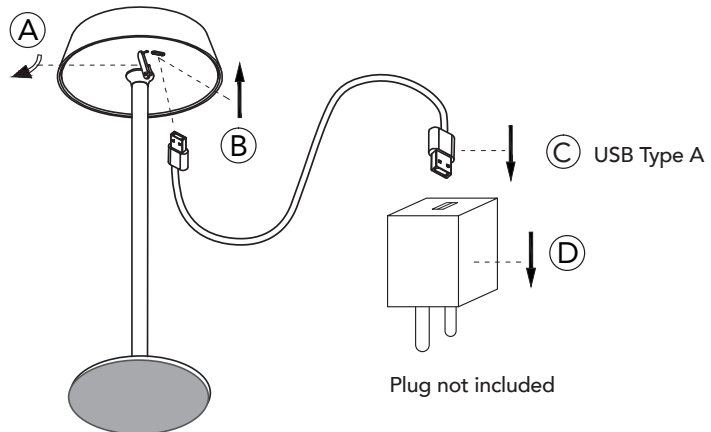
Installation

- Please read through these instructions carefully before proceeding.

1.

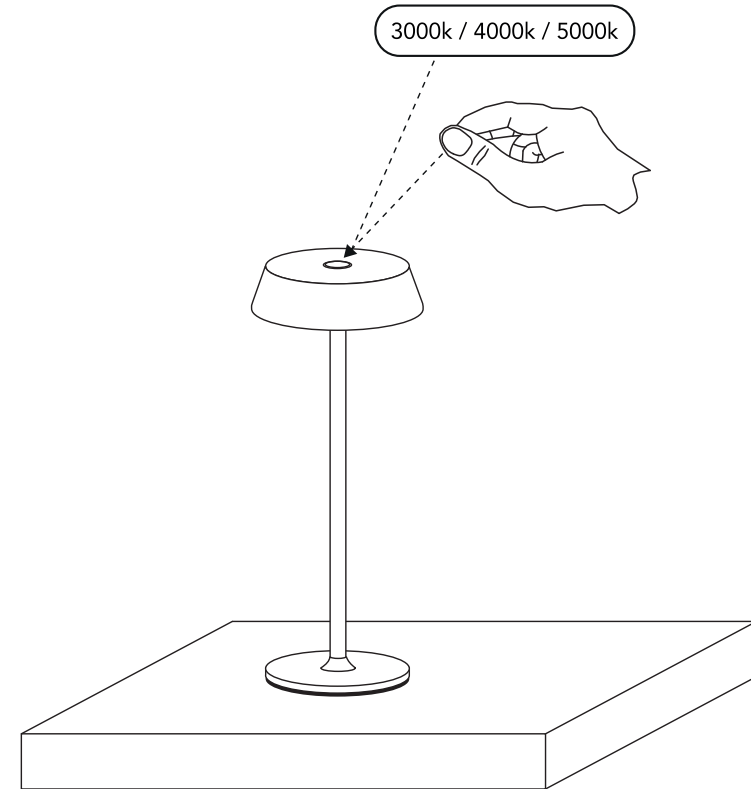


2.



3. Colour Temperature

Warm White / Cool White / Bright White



Press the switch once to change the colour.
Hold down the switch to dim the light.