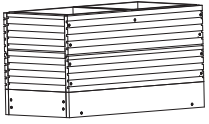
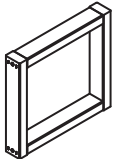
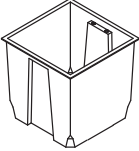



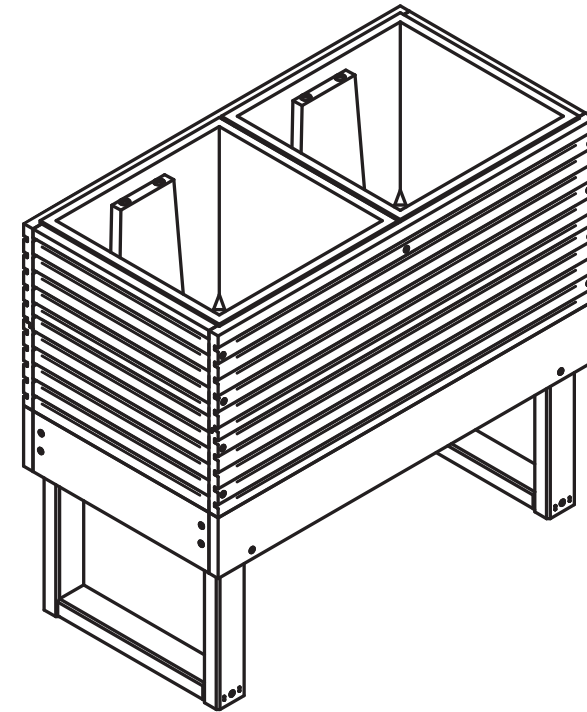
## Trough Parts & Hardware

A		x 1 PC
B		x 2 PCs
C		x 2 PCs
D		x 12 PCs

# Garden Trading®

## Latchmere Trough, Small Assembly Instructions

Please read through these instructions and ensure they are kept for future reference.  
All parts and hardware are listed on the back of this guide.



### Care Instructions

Please follow this care instruction in order to maintain the appearance and life of this product.

Wood is a natural material, which will deteriorate when left outside exposed to the weather conditions. A surface coating is vital in protecting it from premature darkening and splitting when exposed to the weather. This finish should be regularly maintained to ensure that the wood is protected from moisture and the product continues to look its best. This product has been covered with non-chromic water-based preservative.

### Maintenance

In order to maintain the appearance of the wood, regular coatings of a suitable water-based preservative should be applied. Should you choose to stop continuing treating your product, then it will fade and cracks can appear.

Customer Services:  
gardentrading.co.uk  
+44 (0)1993 845 559  
customerservices@gardentrading.co.uk

Opening Hours: Monday - Friday: 8.30am - 5.30pm (Friday close at 5.00pm)

The Garden Trading Company Ltd, Carterton South Industrial Estate, Black Bourton Road, Carterton, Oxon, OX18 3EZ

# Garden Trading®

