




## Parts & Hardware

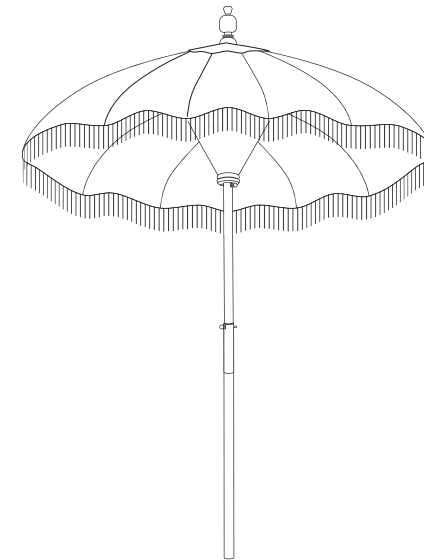
A		x 1 PC
B		x 1 PC
C		x 2 PC

# Garden Trading®

## Summerleaze Parasol Assembly Instructions

Please read through these instructions and ensure they are kept for future reference.  
All parts and hardware are listed on the back of this guide.

**WHEN ASSEMBLING THIS PRODUCT PLEASE PLACE PARTS  
ON A SOFT SURFACE TO AVOID DAMAGE OR SCRATCHES.**



### Care Instructions

We recommend assembling your parasol on a non-abrasive surface such as a dust sheet or the original cardboard packaging.

It is advised that you close your parasol during windy conditions.

To prevent the build up of mould, ensure your parasol is completely dry before closing it.

If mould does occur, wipe clean once completely dry. Otherwise, a gentle mould cleaner is recommended.

We recommend you always store your parasol in a dry location.

For light stains, wipe clean with a damp cloth.

Whilst suitable for outdoor use, we recommend storing your parasol inside or undercover to preserve its condition during the winter months.

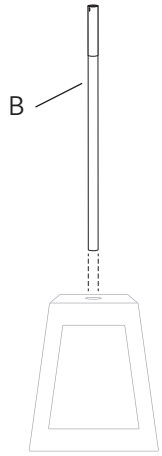
# Garden Trading®

[gardentrading.co.uk](http://gardentrading.co.uk)

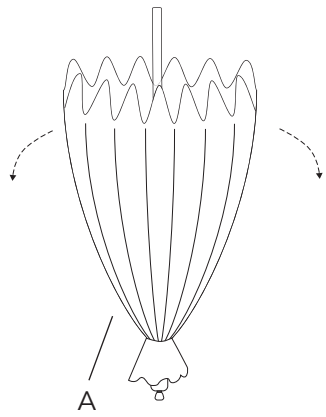
[customerservices@gardentrading.co.uk](mailto:customerservices@gardentrading.co.uk)

TGTC, Hargreaves Road, Groundwell Industrial Estate, Swindon, SN25 5AZ

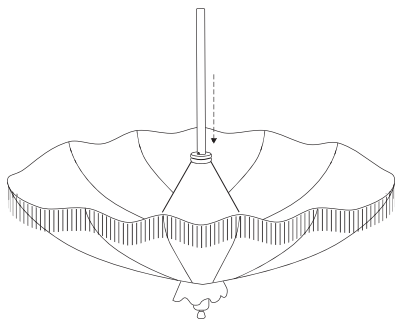
①



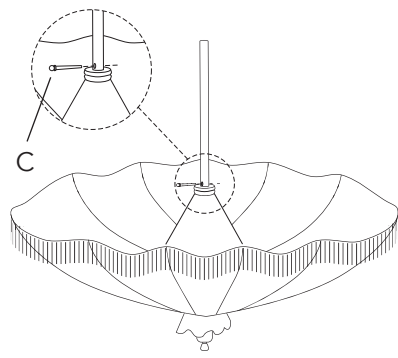
②



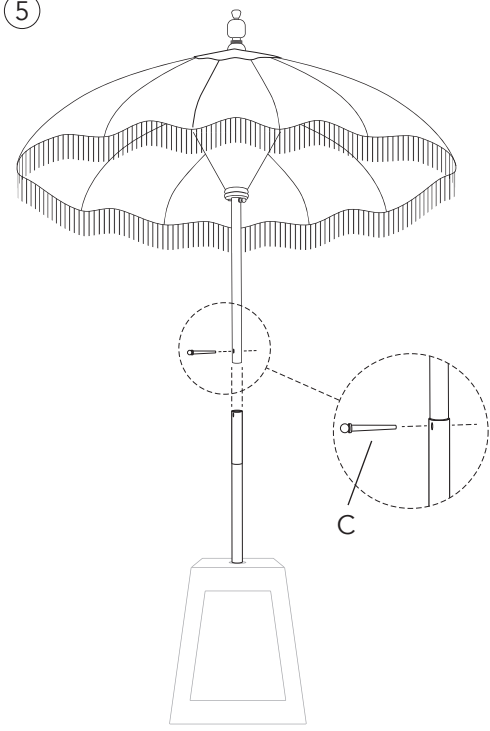
③



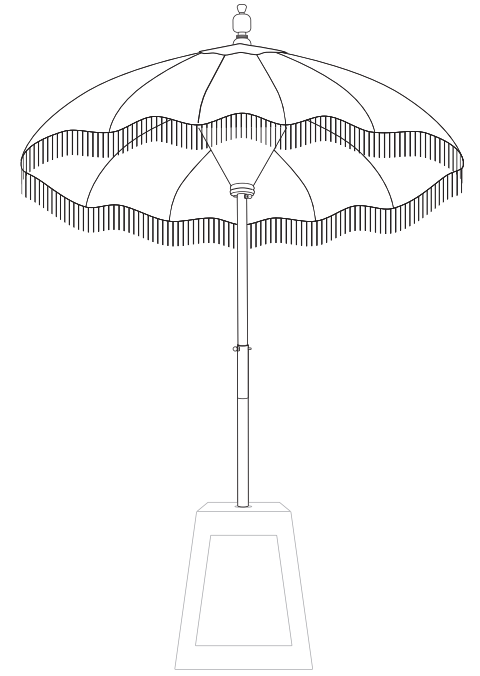
④



⑤



⑥



Parasol base not included

