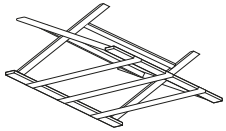
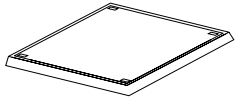


Parts & Hardware

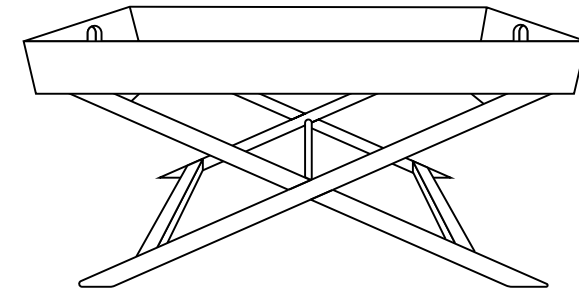
A		x 1
B		x 1

Garden Trading®

Hambledon Butlers Coffee Table – Square Assembly Instructions

WHEN ASSEMBLING THIS PRODUCT PLEASE PLACE PARTS ON A SOFT SURFACE TO AVOID DAMAGE OR SCRATCHES.

Unlike traditional coffee tables, the practical and portable Hambledon has a removable tray table top and foldable legs, allowing it to be moved or stored away with ease, creating more floor space when required. Whenever reattaching the tray to the table's strut legs, ensure it is properly secured before use. See the images below. To maintain your coffee table, please wipe clean with a damp cloth.



Your new Hambledon Butlers Coffee Table is supplied in two separate pieces.

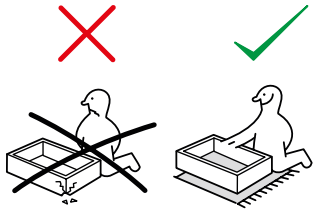
1. First take the tray top section and gently place it upside down on the floor, with a blanket or rug underneath it to prevent scratching. Once it's positioned upside down, four Velcro strips located in each corner of the tray top's frame should be visible and facing upwards.
2. Next, take the accompanying strut legs and – without unfolding - turn them upside down, so that corresponding Velcro strips found on these are now facing the floor. Holding your upturned legs gently just above the coffee table tray, slowly start to ease them open. Gradually unfold the legs until their Velcro strips connect and stick to all four corners of the tray top. Once in place, check each leg and corner in turn to ensure that the Velcro pads are firmly interlocked and completely aligned.
3. When your coffee tray top and legs are fastened, it is recommended that two people manoeuvre your furniture as one piece, turning the coffee table over so it's now in an upright, usable position. In doing so, ensure that both the legs and table top are held carefully; despite creating a strong bond, Velcro alone won't withstand the coffee table's weight without additional support.

Garden Trading®

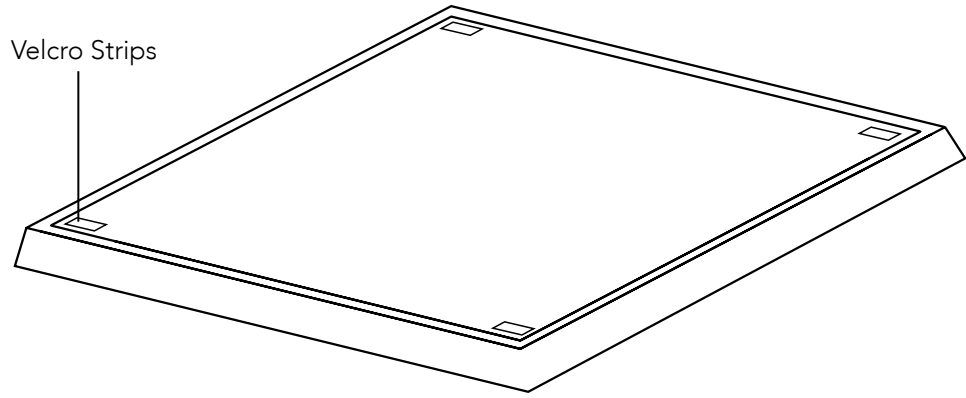
gardentrading.co.uk

customerservices@gardentrading.co.uk

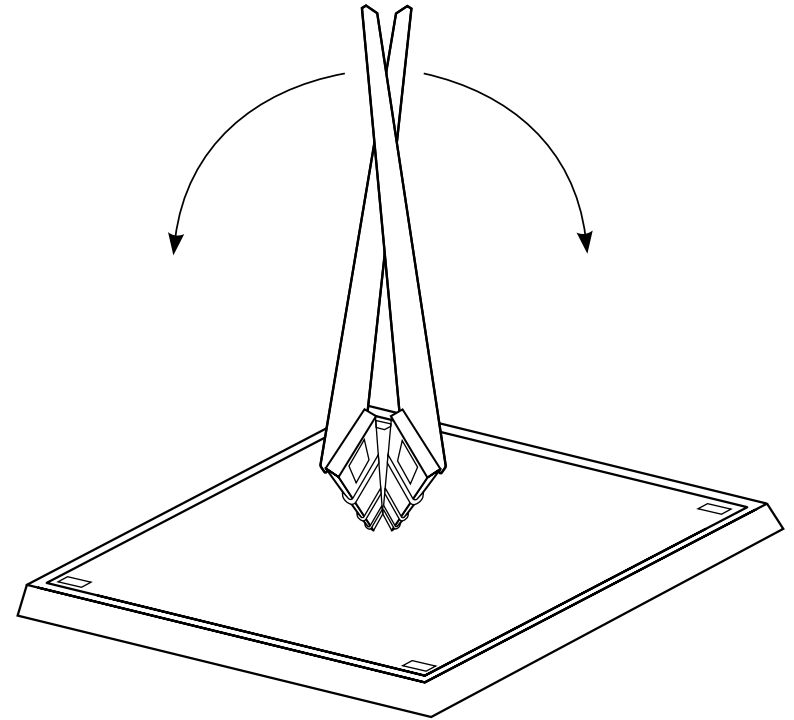
TGTC, Hargreaves Road, Groundwell Industrial Estate, Swindon, SN25 5AZ



①



②



③

