

# Garden Trading®

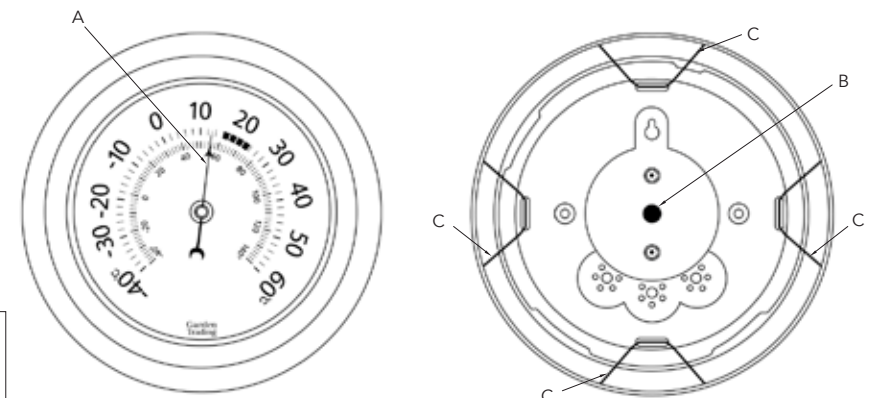
## St Ives Thermometer - Galvanised Steel Product Information

Do not mount the thermometer in direct sunlight or near to a direct heat source.



If temperature is incorrect:

1. Use the screw on the back of the thermometer to rotate and calibrate the pointer to the correct temperature.
2. Take up the four iron clips on the back of the thermometer and remove the back cover. Pull up the pointer and align it with the correct temperature. Once you have done this, attach the back cover and push down the iron clips.



A - Pointer  
B - Screw  
C - Clips

# Garden Trading®

[gardentrading.co.uk](http://gardentrading.co.uk)

[customerservices@gardentrading.co.uk](mailto:customerservices@gardentrading.co.uk)

TGTC, Hargreaves Road, Groundwell Industrial Estate, Swindon, SN25 5AZ

