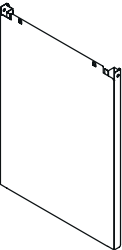
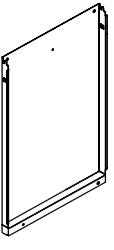
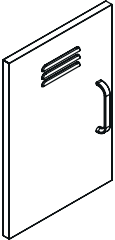
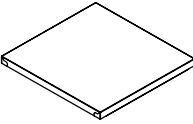
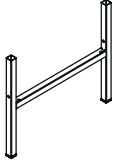
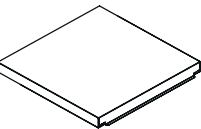
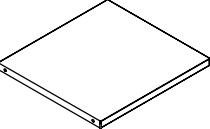
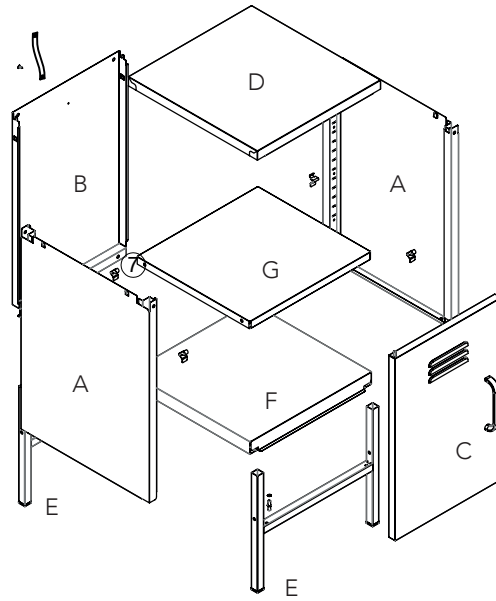



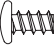







## Storage Locker Parts & Hardware

	
x2 Side Panels	x2 Back Panels
	
x1 Doors	x1 Top Panel
	
x2 Legs	
	
x1 Bottom Panel	x2 Shelves



 6 X 70mm x1	 3 X 30mm x1	 12 X 0.8mm x1
 4 X 4mm x2	 9 X 0.8mm x2	 x1
 x4	 x1	 x1

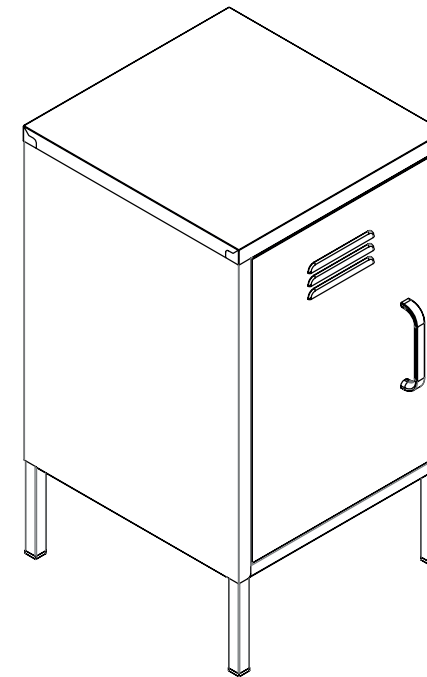
# Garden Trading®

## Marlborough Locker Left Hinged Assembly Instructions

Please read through these instructions and ensure they are kept for future reference.

All parts and hardware are listed on the back of this guide.

Please ensure the unit is securely fixed to the wall to avoid tipping. Fixings are not supplied. Please ensure you source and use correct plugs and screws for the surface you are fixing this product to.



### Cabinet Care Instructions

Dust regularly with a clean dry cloth.

Wipe up any spills immediately with a damp cloth and then dry the surface with a clean dry cloth.

Never use abrasive or corrosive cleaning agents.

Always use place mats and coasters to protect the surface from moisture and heat. Avoid sharp objects scratching the surface.

Avoid placing on uneven surfaces.

Do not drag furniture, always lift to move.

Maximum Weight Capacity

Top Panel: 15kg

Shelf: 10kg

Bottom Panel: 15kg

### Customer Services:

[www.gardentrading.co.uk](http://www.gardentrading.co.uk)

+44 (0)1993 845 559

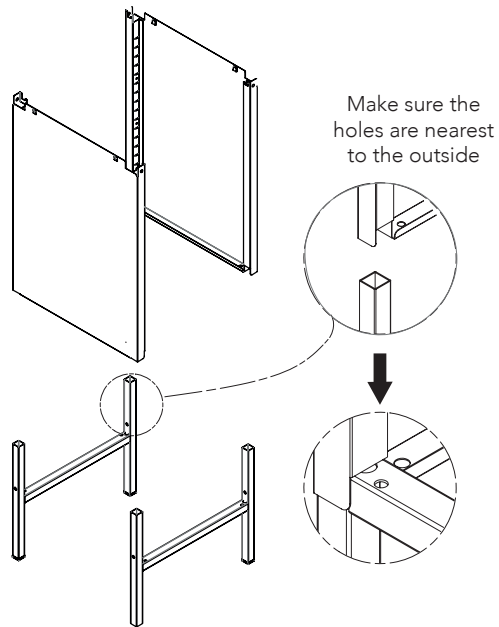
[customerservices@gardentrading.co.uk](mailto:customerservices@gardentrading.co.uk)

Opening Hours: Monday - Friday: 8.30am - 5.30pm (Friday close at 5.00pm)

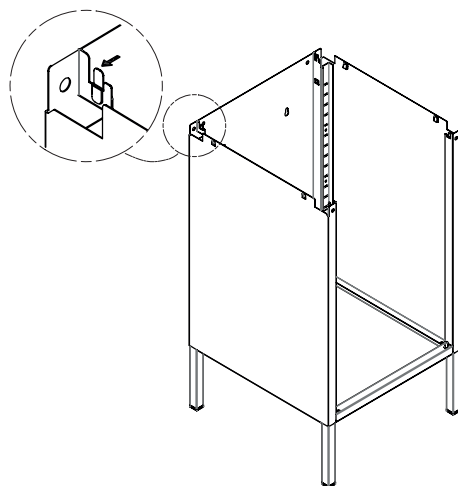
The Garden Trading Company Ltd, Carterton South Industrial Estate, Black Bourton Road, Carterton, Oxon, OX18 3EZ

# Garden Trading®

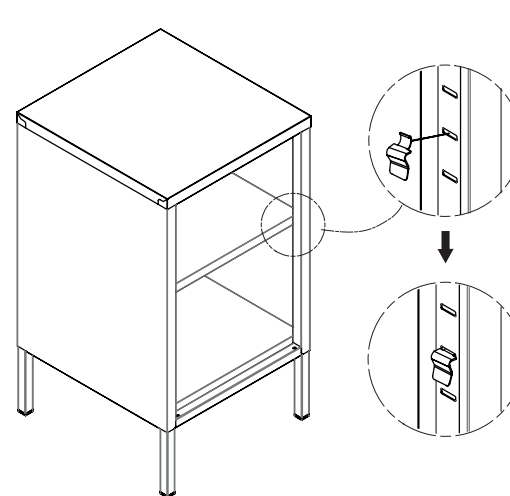
1. Stand both legs (E) up and push the side panels (A) down onto the legs.



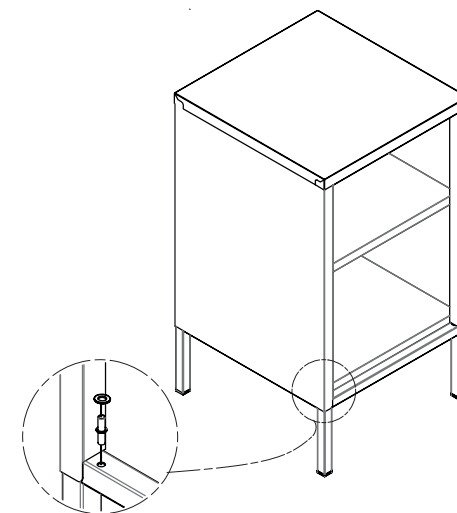
2. Assemble the back panels onto the standing structure and bend the tabs in the corners to fix in place.



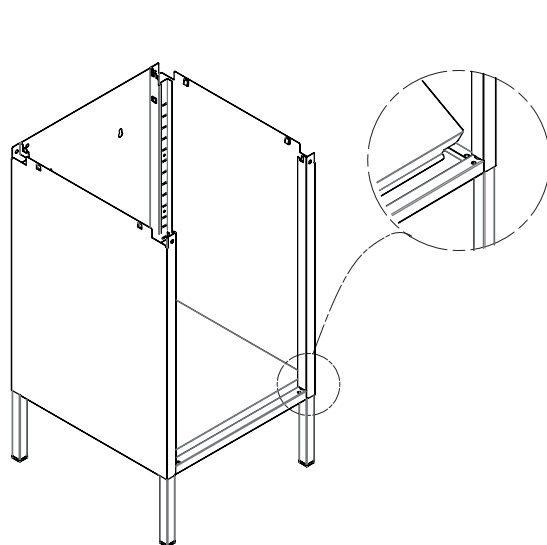
5. Insert the shelf brackets (N) and the shelf (G).



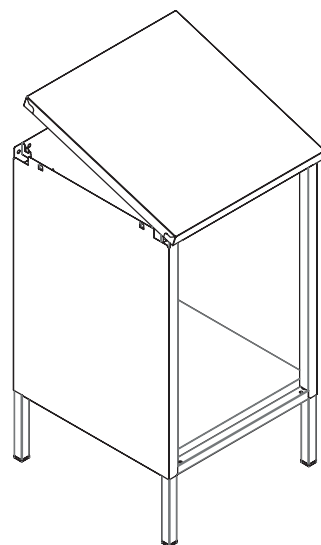
6. Insert the metal posts (2) and washer (3) in the hole in the leg.



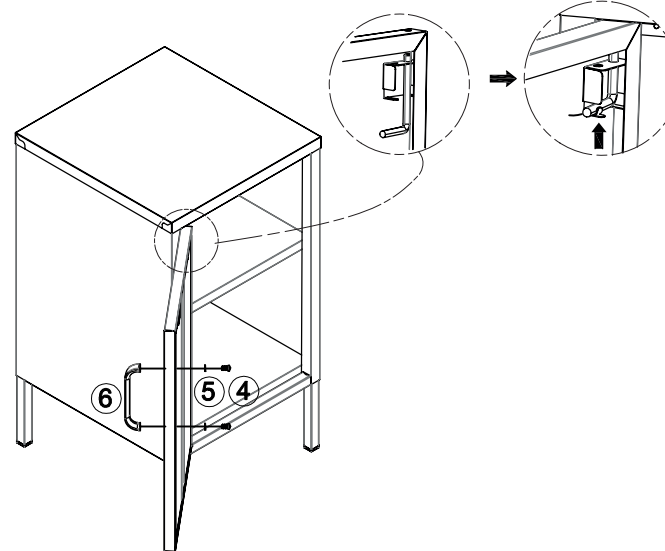
3. Insert the bottom panel (F), starting from the front and pushing it all the way down into place.



4. Add the top panel (D), starting from the front. Align the top with all the side and back panels and push down with enough force to click it into place. Check from all angles that the side and back panels are slotted in correctly.



7. Using a screwdriver attach the handles (6) to the door (C) with the small screws (4) and small washers (5). Slide the door down on the post and into correct position against the cabinet. At the top of the door, insert L-shape post (1) up in to position through the holes and bend the tab to secure in place.



8. Attach the anti-tip strip (8) to the back of the unit using screw (9). Secure the unit to the wall to avoid tipping.

