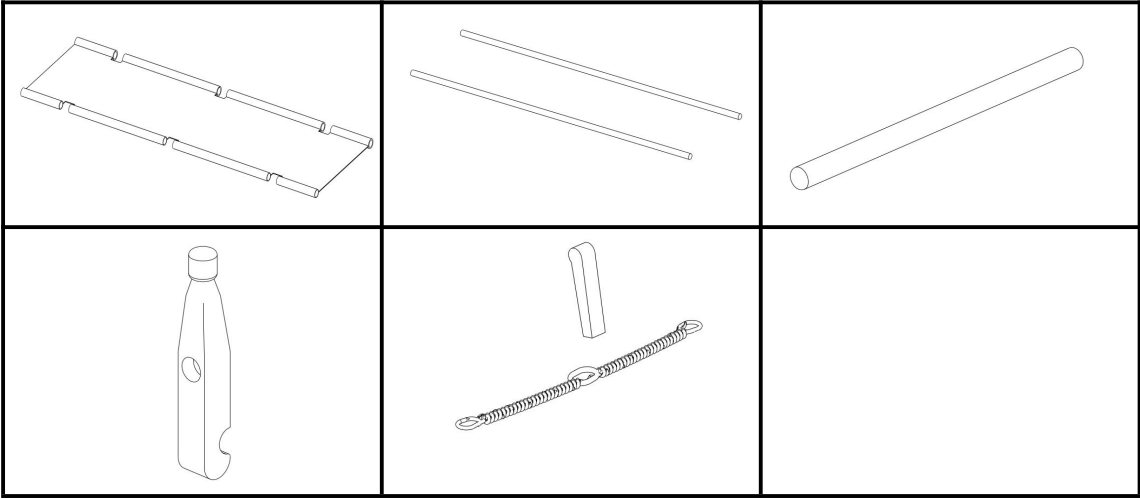


# Assembly Instruction



## Assembly step:

