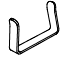


Parts & Hardware

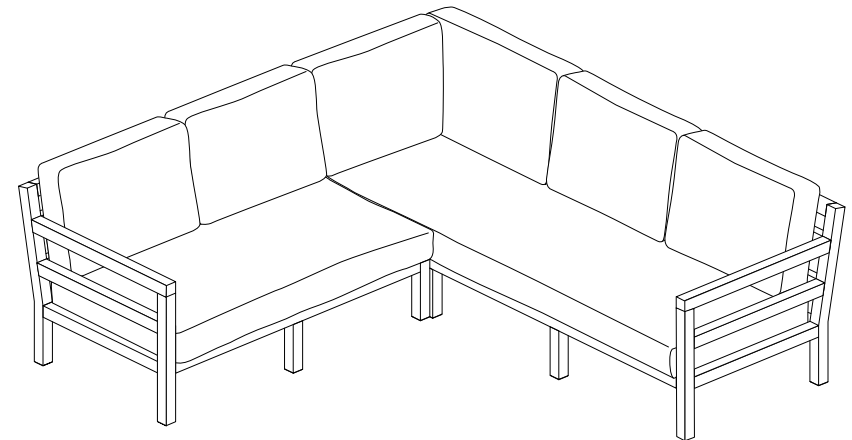
A		x 2 PC
---	---	--------

Garden Trading®

Sandridge Corner Sofa Assembly Instructions

Please read through these instructions and ensure they are kept for future reference.
All parts and hardware are listed on the back of this guide.

**WHEN ASSEMBLING THIS PRODUCT PLEASE PLACE PARTS
ON A SOFT SURFACE TO AVOID DAMAGE OR SCRATCHES.**



Care Instructions

We advise against the use of abrasive or corrosive cleaning agents as discolouration may occur and cause the wood to crack.

In the event of any spills, wipe them immediately with a damp cloth.

Your cushion covers are removable and can be washed on a gentle cycle in cool water.

Please avoid positioning your furniture on uneven surfaces.

Whilst suitable for indoor and outdoor use, we recommend storing your furniture inside or undercover to preserve its condition during the winter months.

To avoid fading over time, do not expose your furniture to direct sunlight.

Please do not drag the furniture, we recommend to always lift it to move, avoiding any breakages.

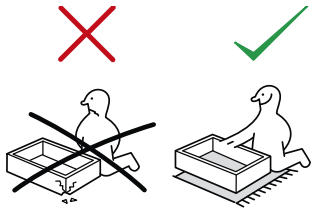
We advise that two people assemble the product together. Parts can be heavy.

Garden Trading®

gardentrading.co.uk

customerservices@gardentrading.co.uk

TGTC, Hargreaves Road, Groundwell Industrial Estate, Swindon, SN25 5AZ



①

