



Customer Services:
www.gardentrading.co.uk
+44 (0)1993 845 559
customerservices@gardentrading.co.uk

Opening Hours: Monday - Friday: 8.30am - 5.30pm (Friday close at 5.00pm)

The Garden Trading Company Ltd, Carterton South Industrial Estate, Black Bourton Road, Carterton, Oxon, OX18 3EZ

Garden Trading®

Customer Services:

www.gardentrading.co.uk
+44 (0)1993 845 559
customerservices@gardentrading.co.uk

Opening Hours: Monday - Friday: 8.30am - 5.30pm (Friday close at 5.00pm)

The Garden Trading Company Ltd, Carterton South Industrial Estate, Black Bourton Road, Carterton, Oxon, OX18 3EZ

Garden Trading®

Hoxton Glass Pendant, Satin Nickel Installation Instructions

Please read through these instructions and ensure they are kept for future reference.

Please note, this fitting is not supplied with a bulb.

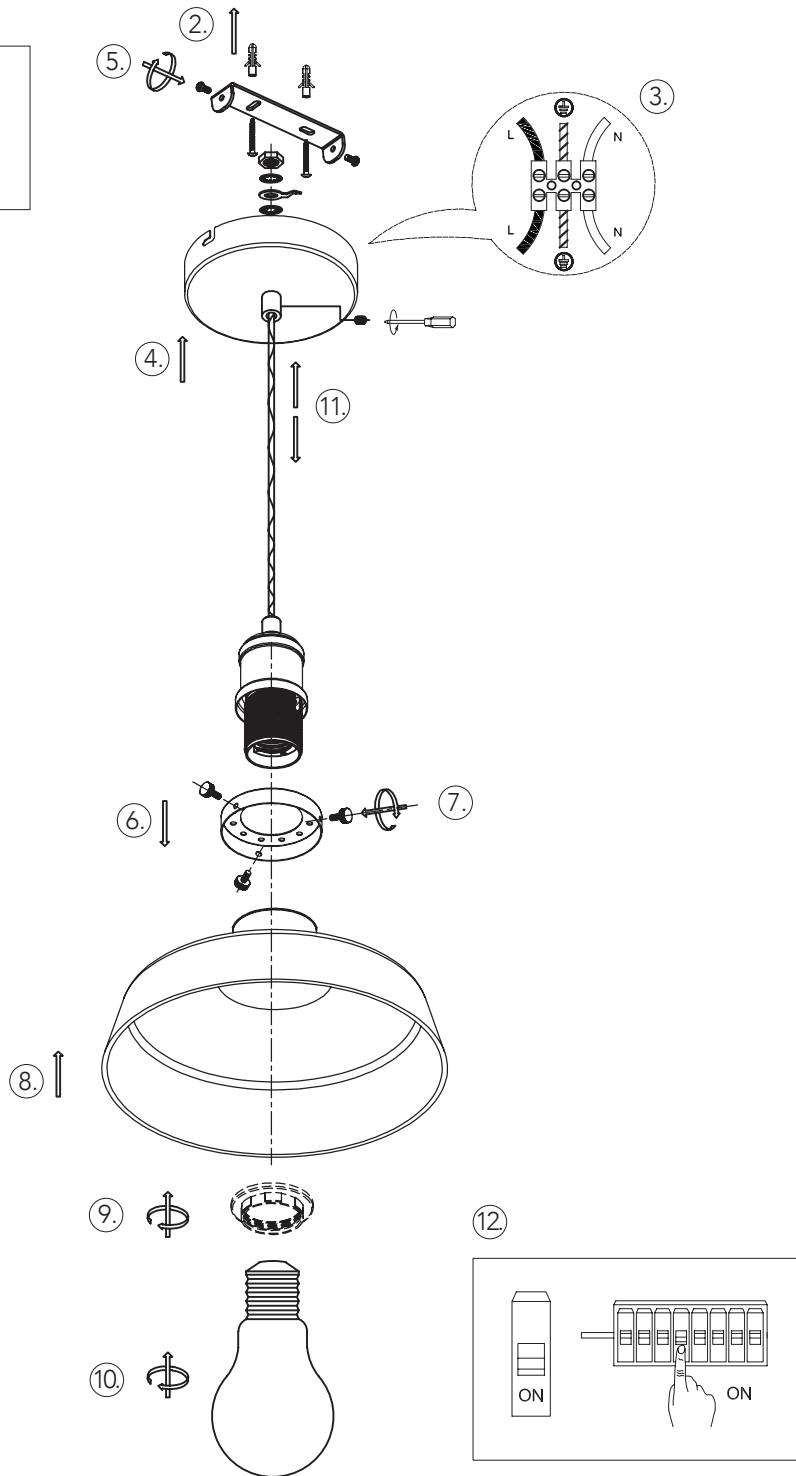
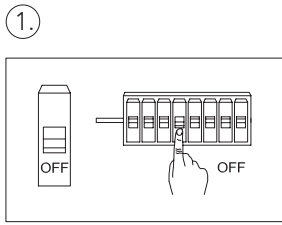
Bulb required: 1x LED E27 Max 10W GLS or Squirrel Bulb



Safety Information

Lights that require wiring in:

1. It is recommended that this fitting is installed by a qualified electrician.
2. The fitting should be fitted in accordance with current UK Buildings and Wiring Regulations.
3. Before attempting installation or maintenance, ensure the power is switched off at the mains power switch. Ensure other persons cannot restore the electricity supply without your knowledge.
4. If in doubt, please consult a qualified electrician.
5. To avoid damage to concealed wiring during installation, establish the direction of the supply cable before drilling fixing holes.
6. Extra holes should not be drilled into the ceiling rose as this may cause it to crack and break under pressure.
7. This fitting should be fitted to a lighting supply with a protected 5-amp fuse or equivalent circuit breaker.
8. If the external flexible cable appears damaged, the fitting might be unsafe. Contact Garden Trading for a replacement.
9. Always be sure to use the correct type and wattage of bulb as indicated on the fitting (and stated above).
10. Do not exceed the maximum wattage stated on the fitting.
11. Using the incorrect bulb or wattage may cause damage to the light and therefore void the warranty.
12. When changing the bulb, ensure the mains power supply is switched off and allow the old bulb to cool before handling. Dispose of bulbs carefully.



Installation

- Please read through these instructions carefully before installation
- This light fitting is suitable for indoor use only

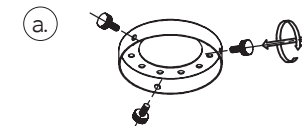
Extra Information

1. Once these instructions have been correctly carried out, the mains can be re-connected and the fitting will be ready for use
2. Please keep these instructions available for future use
3. We recommend cleaning with a soft dry cloth. Don't use abrasive materials, this may affect the finish and therefore void the warranty
4. Waste electrical products should not be disposed of with household waste. Please recycle where facilities exist. Check with your Local Authority or retailer for recycling advice.

If Your Pendant Doesn't Hang Straight

When the pendant is removed from its packaging you may find the cable exit from the top of the glass shade is bent at an angle and when you hold it by the cable the glass shade does not hang straight. It may therefore be necessary to straighten the cable by hand in order to correct this issue and allow the glass shade to now hang more evenly. To do this you will need to loosen the three screws (fig. a) and move the metal cup a small amount to make the shade balance.

Please be aware however that this glass shade has been hand blown so some small variances are unavoidable.



Household Circuit Information

Household Circuit	Connects to	Fitting Wire Colour
Blue or Black (Neutral)	>	Neutral 'N'
Green/Yellow-sleeved Copper (Earth)	>	Green/Yellow
Brown or Red – Switched Live	>	Live 'L'

Check that...

- You have correctly identified the house wires
- The connections are tight
- No loose strands have been left out of the connection block



IILAH001/01