

Extra Information/Notes

1. Ensure the power is turned off before cleaning
2. Please keep these instructions available for future use
3. We recommend cleaning with a soft dry cloth. Don't use abrasive materials, this may affect the finish and therefore void the warranty
4. Waste electrical products should not be disposed of with household waste.

Please recycle where facilities exist. Check with your Local Authority or retailer for recycling advice.

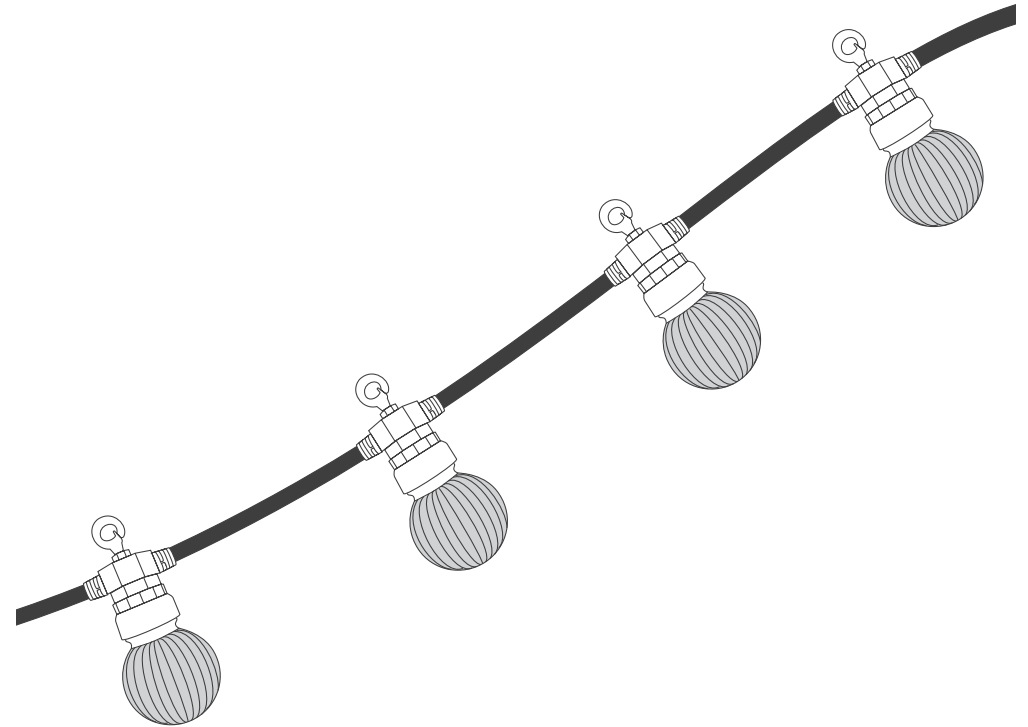
Garden Trading®

Smoked Festoon Linear Lights - 20 Bulbs Installation Instructions

Please read through these instructions and ensure they are kept for future reference.

This fitting is IP44 rated.

Bulb included: non-replaceable LED bulbs.



Safety Information

1. The light source of this luminaire is not replaceable.
2. Once the light source reaches the end of life the whole luminaire shall need to be replaced.
3. Lights must not be switched on in the box.
4. This fitting is IP44 rated for outdoor use.

Customer Services:

www.gardentrading.co.uk

+44 (0)1993 845 559


customerservices@gardentrading.co.uk

Opening Hours: Monday - Friday: 8.30am - 5.30pm (Friday close at 5.00pm)

The Garden Trading Company Ltd, Carterton South Industrial Estate, Black Bourton Road, Carterton, Oxon, OX18 3EZ

Garden Trading®

Installation

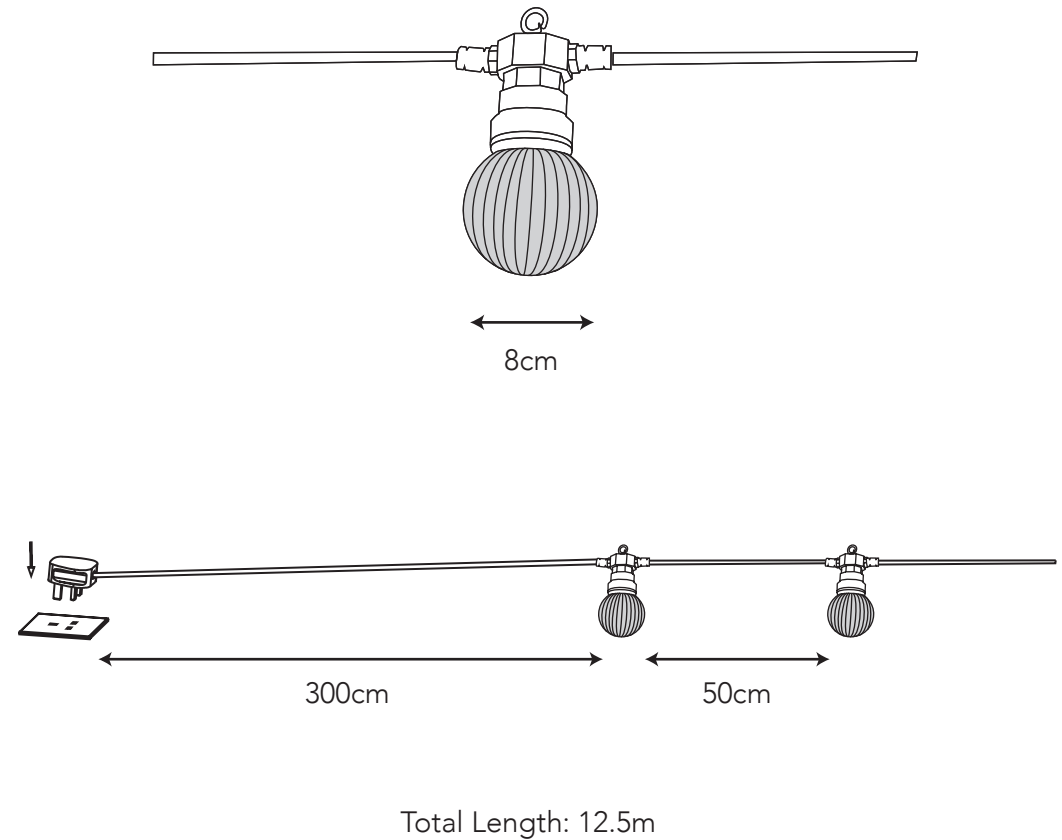
- Please read through these instructions carefully before installation
- This fitting is IP44 rated for outdoor use 

Instructions

- This light set consists of non-replaceable LEDs connected in a series and parallel arrangement
- Make sure that the cable is completely unravelled and there are no snags in the cable
- Ensure that all plastic bulbs are screwed on tightly prior to placing outdoors
- To operate, plug the transformer into mains supply, indoors only
 - Do not connect this light set electrically to another light set
 - Do not connect the light set to the mains supply whilst it is in the packaging
- Do not allow any plastic part to come into contact with heat or flame
 - Do not unscrew or twist the LED
- Unplug the product when leaving the house, when retiring for the night or if left unattended
- Do not overload wall sockets. Use different sockets around the house to plug in multiple lights to balance the load
- For decorative purposes, do not allow children to play with

Product Specifications:

Quantity of bulbs: 20
Diameter of bulb: 8cm
Bulb spacing: 50cm
Total length: 12.5m



PLEASE NOTE:

THE LIGHT SOURCE OF THIS LUMINAIRE CANNOT BE REPLACED.
ONE DEAD LED WILL NOT AFFECT OTHERS.
ONCE THE COMPLETE LIGHT SOURCE REACHES THE END OF LIFE, THE
WHOLE LUMINAIRE SHALL NEED TO BE REPLACED.



IIFESTOONSMOKEDLINEAR20/01