











## Sofa Parts & Hardware







### Sofa Left Side

A		x 1 PC
B		x 2 PCS
C		x 4 PCS
D		x 8 PCS
E		x 1 PC

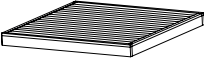
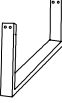



### Sofa Right Side

F		x 1 PC
G		x 2 PCS
H		x 4 PCS
I		x 8 PCS
J		x 1 PC

### Sofa Corner Piece

K		x 1 PC
L		x 2 PCS
M		x 4 PCS
N		x 8 PCS
O		x 1 PC
P		x 4 PCS

### Coffee Table

Q		x 1 PC
R		x 2 PCS
S		x 8 PCS
T		x 8 PCS
U		x 1 PC

# Garden Trading®

## Amberley Sofa Set Assembly Instructions

Please read through these instructions and ensure they are kept for future reference.  
All parts and hardware are listed on the back of this guide.



### Sofa Care

Use soft bristled utility brush and stroke lightly in the direction of the grain to remove surface dust. For more stubborn dirt, the wood may be cleaned with a mild solution of laundry detergent or washing up liquid, then rinsed thoroughly and allowed to dry completely. Avoid use of harsh cleaners and abrasives. If left untreated, teak will slowly attain a natural silver-grey patina. To maintain original colour of the teak, apply a teak oil or sealer (not supplied) annually.

Cushion covers are removable and can be washed on a gentle cycle in cool water.

We recommend covering the sofa set during periods of inclement weather to prolong its life.

### Customer Services:

gardentrading.co.uk

+44 (0)1993 845 559

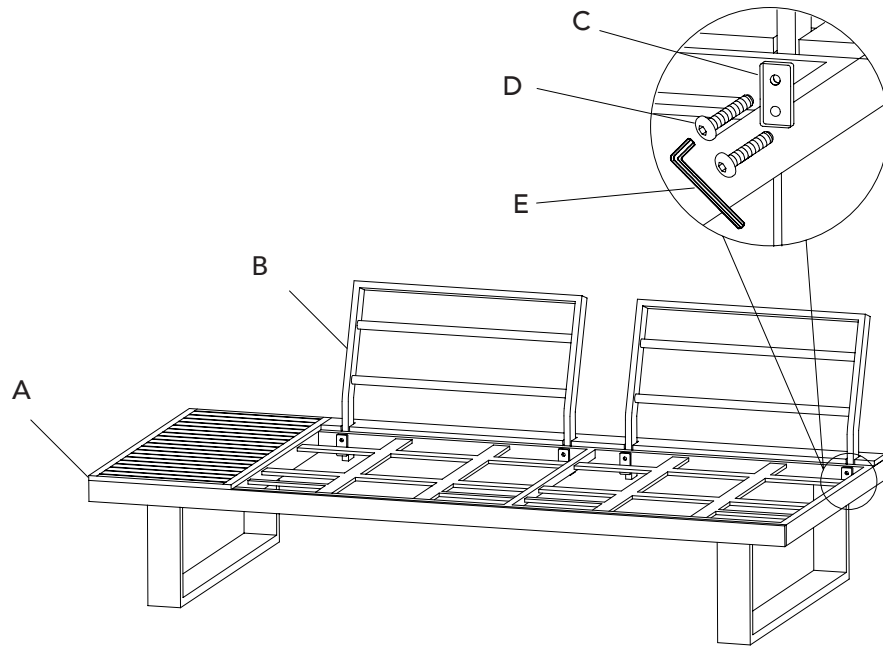
customerservices@gardentrading.co.uk

Opening Hours: Monday - Friday: 8.30am - 5.30pm (Friday close at 5.00pm)

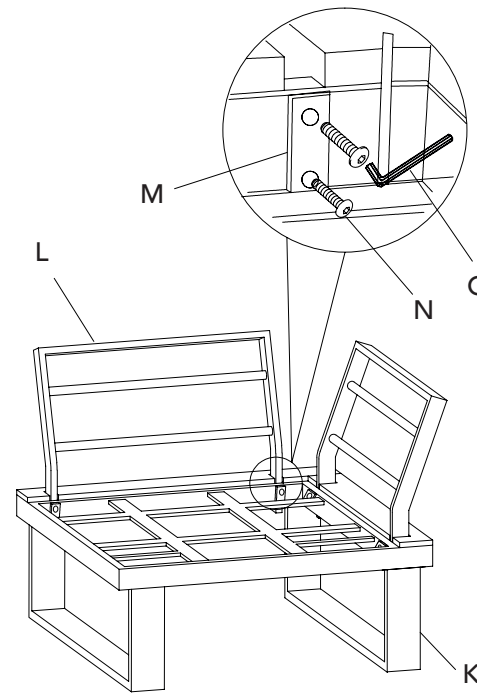
The Garden Trading Company Ltd, Carterton South Industrial Estate, Black Bourton Road, Carterton, Oxon, OX18 3EZ

# Garden Trading®

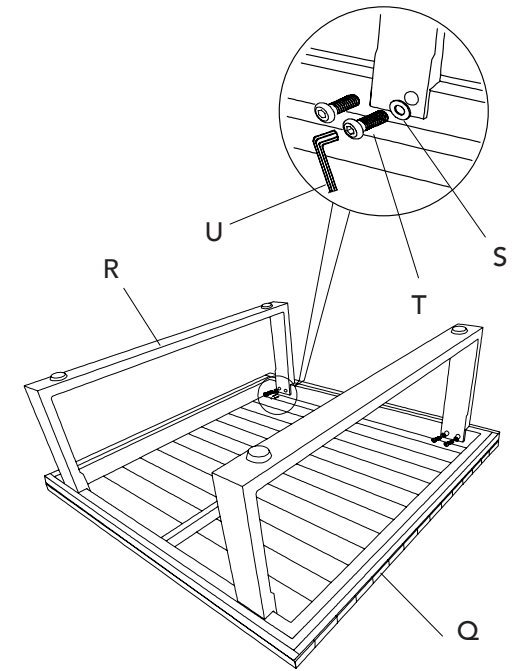
Sofa Left Side



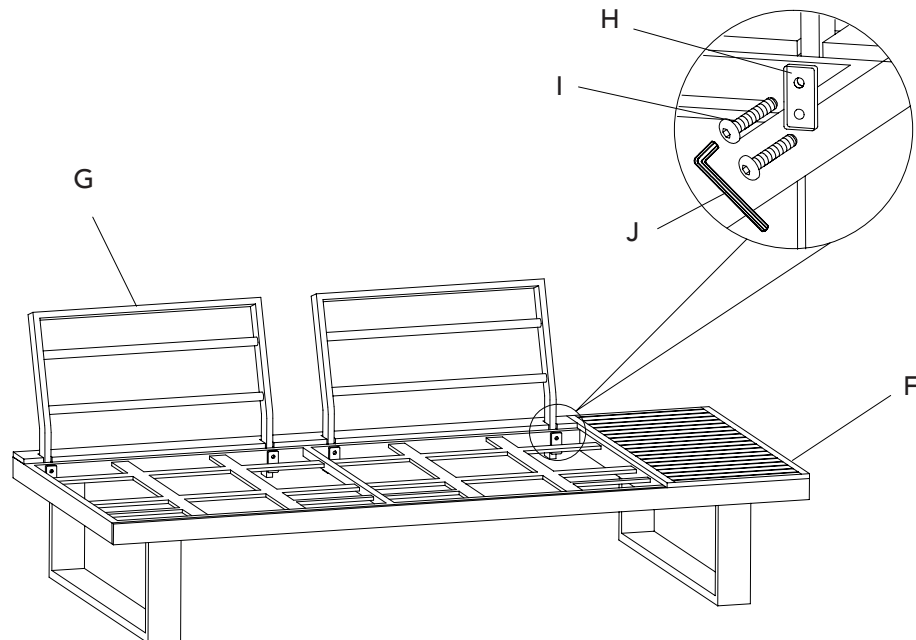
Sofa Corner Piece



Coffee Table



Sofa Right Side



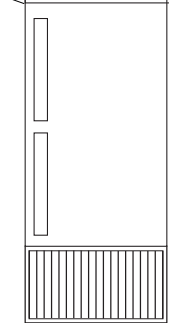
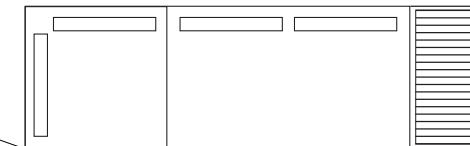
Secure the sofa pieces together using clips 'P'



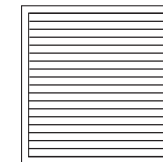
P

Sofa Corner Piece

Sofa Right Side



Sofa Left Side



Coffee Table



MAX WEIGHT

Right & Left Side: 240kg

Corner Piece: 120kg

Coffee Table: 50kg



IIFUTE28/01