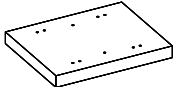



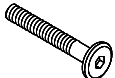



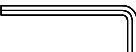


## Table Parts & Hardware

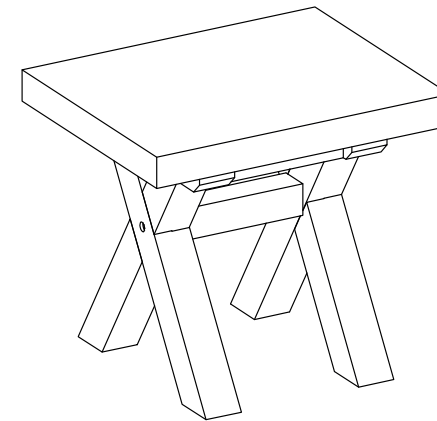
A		x 1 PC
B		x 2 PC
C		x 1 PC
D		x 2 PC
E		x 10 PC
F	 M7 x 90mm	x 2 PC
G	 M7 x 70mm	x 4 PC
H		x 4 PC
I		x 1 PC

# Garden Trading®

## Burford Stool Assembly Instructions

Please read through these instructions and ensure they are kept for future reference.  
All parts and hardware are listed on the back of this guide.

**WHEN ASSEMBLING THIS PRODUCT PLEASE PLACE PARTS  
ON A SOFT SURFACE TO AVOID DAMAGE OR SCRATCHES.**



### Care Instructions

Polystone is made from natural materials so colour variances may occur.

It is important that spills are quickly cleaned to avoid staining.

To clean, wipe with a soft damp cloth.

Do not place hot or cold items directly on the surface, always use a placemat.

Suitable for indoor and outdoor use.

We recommend storing your furniture indoors or undercover during the winter months.

Do not use power tools to assemble.

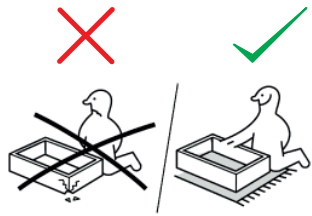
Two person assembly advised.

# Garden Trading®

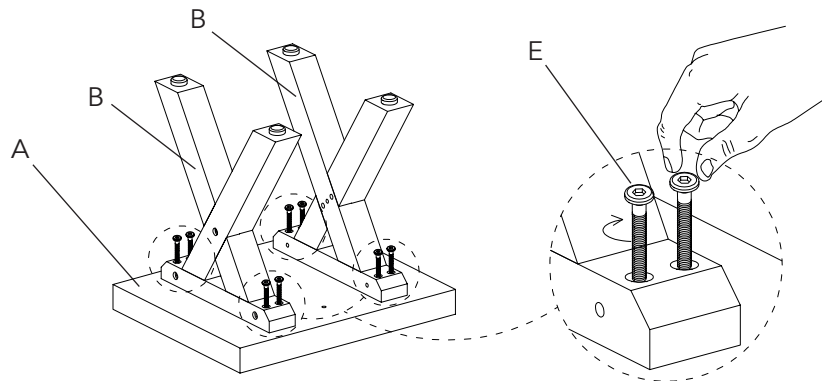
gardentrading.co.uk

customerservices@gardentrading.co.uk

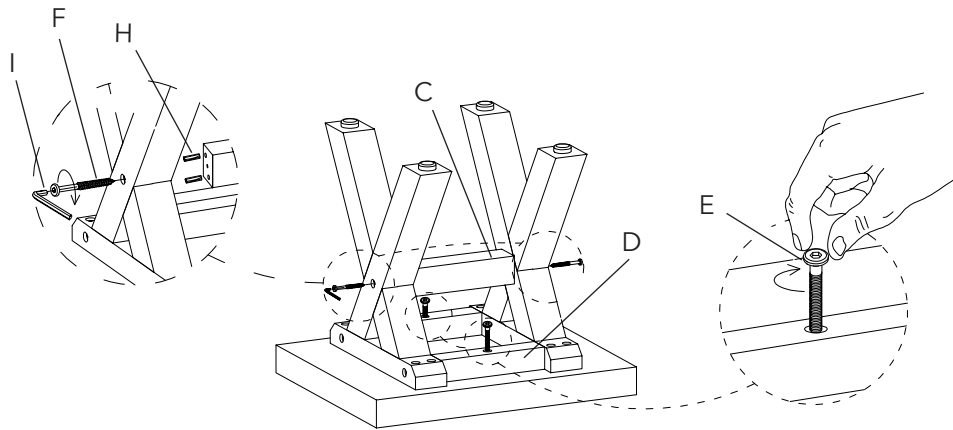
TGTC, Hargreaves Road, Groundwell Industrial Estate, Swindon, SN25 5AZ



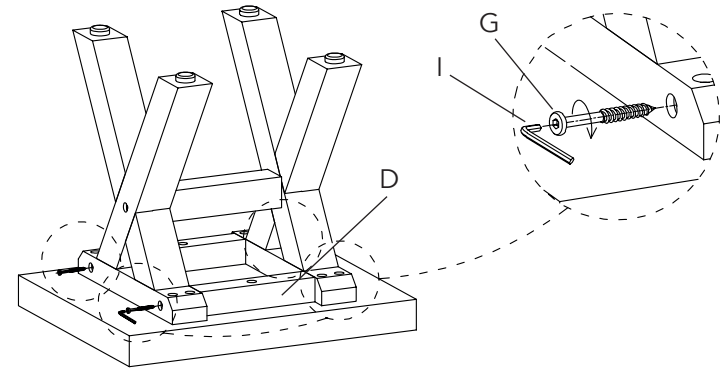
①



②



③



④

