

## Extra Information

1. Once these instructions have been correctly followed, the mains can be reconnected and your light fitting will be ready for use.
2. We recommend cleaning your light fitting with a soft dry cloth. Don't use abrasive materials, this may affect the finish and therefore void its warranty.
3. Waste electrical products should not be disposed of with household waste. Please recycle where facilities exist. Check with your Local Authority or retailer for recycling advice.

## Household Circuit Information

Household Circuit	Connects to	Fitting Wire Colour
Blue or Black (Neutral)	>	Neutral 'N'
Green/Yellow-sleeved Copper (Earth)	>	Green/Yellow
Brown or Red – Switched Live	>	Live 'L'

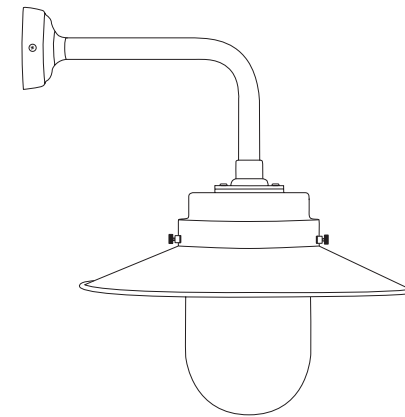
### Check that...

- You have correctly identified the house wires.
  - All connections are tight.
- No loose strands have been left out of the connection block.

# Garden Trading®

## Semington Wall Light Installation Instructions

Please read through these instructions and retain them for future reference. Please note, this fitting is not supplied with a bulb; the one recommended is: 1 x E27 LED Max 10W. Standard screws are included; however, these won't be suitable for all surfaces. Please ensure that you source and use screws which are appropriate for the surface you are mounting this wall light onto. Please note that we do not provide replacement or alternative screws.



### Safety Information

1. It is recommended that your light fitting is installed by a qualified electrician.
2. Your new wall light should be fitted in accordance with current UK Buildings and Wiring Regulations.
3. Before attempting installation or maintenance, ensure your mains power is switched off and that other persons cannot restore the electricity supply without your knowledge.
4. If in doubt regarding any aspect of the installation process, please consult a qualified electrician.
5. To avoid causing damage to concealed wiring during installation, establish the direction of the supply cable before drilling fixing holes.
6. Extra holes should not be drilled into the fitting's back plate as this may cause it to crack and break under pressure.
7. This fitting should be installed to a lighting supply with a protected 5-amp fuse or equivalent circuit breaker.
8. Only one wire should thread through the rubber end of the terminal block enclosure.
9. Always be sure to use the correct type and wattage of bulb as indicated on the light fitting (and stated above).
10. Do not exceed the maximum wattage stated on the fitting.
11. Using the incorrect bulb or wattage may cause damage to the light and therefore void its warranty.
12. When changing a bulb, ensure the mains power supply is switched off and allow the old bulb to cool before handling. Dispose of used bulbs carefully.

# Garden Trading®

gardentrading.co.uk

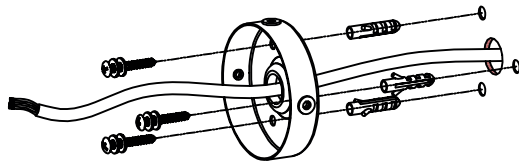
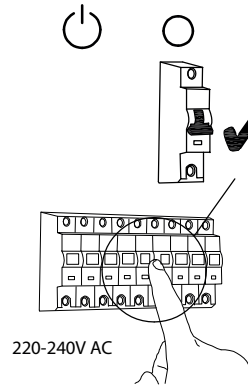
customerservices@gardentrading.co.uk

TGTC, Hargreaves Road, Groundwell Industrial Estate, Swindon, SN25 5AZ

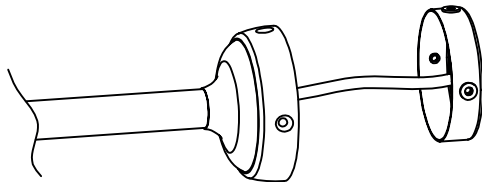
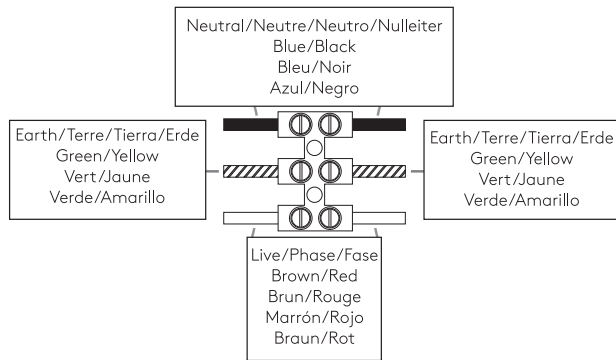
## Installation

- Please read through these instructions carefully before proceeding.

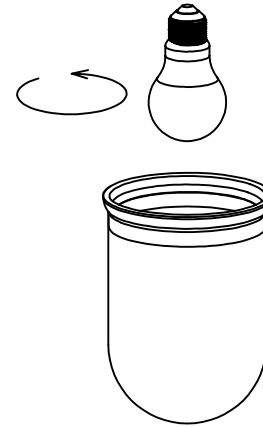
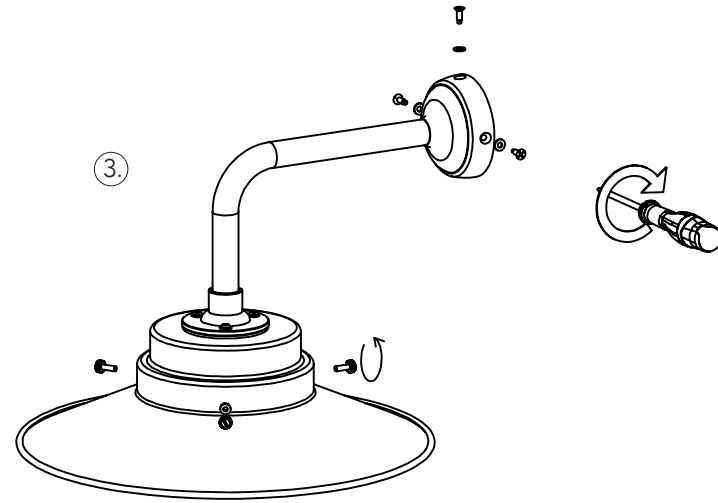
1.



2.



3.



4.

