
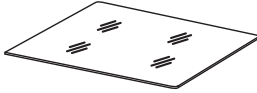
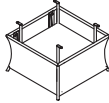





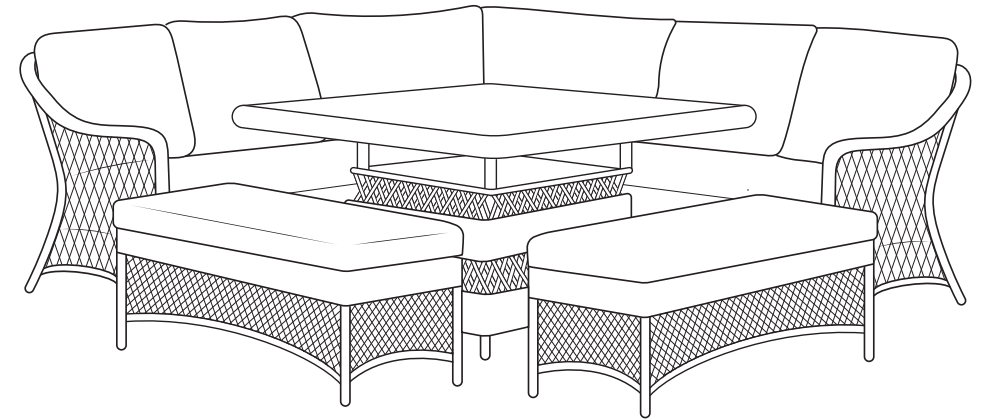
## Parts & Hardware

A		x 1
B		x 1
C		x 1
D		x 4
E		x 4
F		x 1

# Garden Trading®

## Frilford Corner Sofa Set Assembly Instructions

Please check that you have all the parts listed before discarding any packaging.



### Settling in: A Guide To Your New Furniture

#### **IMPORTANT**

- For ease of assembly, we advise that two people work together, as parts can be heavy.
- Assemble your new furniture on a non-abrasive surface, such as a dust sheet or the original cardboard packaging.

#### 1. PREPARATION

- Clear a large, flat area for assembly.
- Unbox all parts and check against the provided parts list.

#### 2. ASSEMBLY

- Ensure that all screws and fittings are loosely attached before tightening.
- We advise using only hand tools. Power tools can damage your new furniture.
- Avoid over-tightening screws, as this can lead to damage.

#### 3. HANDLING

- To move your new furniture, always lift it. To avoid breakages, do not drag pieces across the floor.

#### 4. CARE

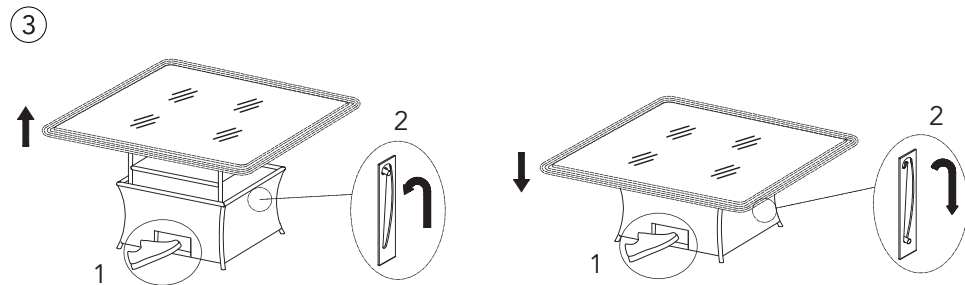
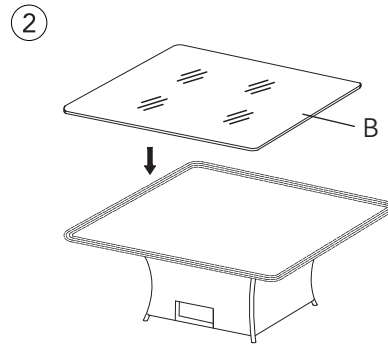
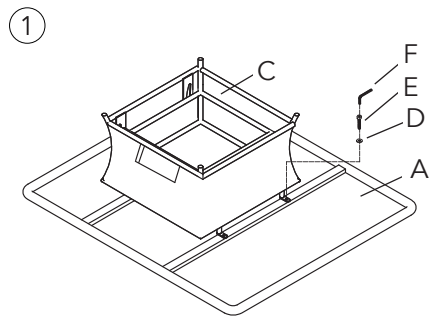
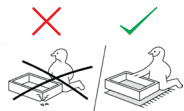
- To maintain the condition of your furniture, avoid using abrasive or corrosive cleaning agents.
- We suggest using a garden furniture cover when your furniture is not in use to keep it clean and protected.

# Garden Trading®

gardentrading.co.uk

customerservices@gardentrading.co.uk

TGTC, Hargreaves Road, Groundwell Industrial Estate, Swindon, SN25 5AZ



## Assembly Advice

- **Teamwork Required:** We recommend that two people assemble the product together, especially when lifting heavy parts like glass.
- **No Power Tools Needed:** All the tools you need for assembly are included.
- **Check Parts First:** Before discarding any packaging, make sure all parts are accounted for.
- **Surface Protection:** Assemble your furniture on a non-abrasive surface such as a dust sheet or the original cardboard packaging to avoid scratching.
- **Gentle Tightening:** Do not over-tighten screws during assembly.
- **Complete Before Use:** Ensure the product is fully assembled before use.
- **Child Safety:** Keep small parts out of reach of children.
- **Leg Positioning:** Make sure all legs are securely fitted and in full contact with the ground.

## Assembly Instructions

### Step One: Attach the Base

1. Place the table top (A) upside down on a soft surface to protect it from scratches.
2. Using screws (E) and washers (D) provided, securely attach the height-adjustable base (C) to the underside of the tabletop.

### Step Two: Position the Table

1. With the assistance of another person, carefully turn the table upright onto its feet.
2. Gently place the glass surface (B) onto the table, ensuring it sits evenly and securely.

### Step Three: Adjust the Height

1. To raise the table height, position two people on opposite sides of the table, directly above the foot holes in the base. Each person should place one foot in a hole to stabilise the base during adjustment.
2. Lift the table top to its highest position, then manoeuvre it forward or backward until it can be lowered into its new position.
3. While maintaining a firm grip on the table top at its full height, slowly and evenly push down on each end to ensure it is securely seated in the recess of the table mechanism.

**To Lower the Table Height:** Reverse the above process by lifting the table top and adjusting it downwards as needed.

### YOUR PRODUCT IS NOW READY FOR USE

Your furniture is now ready to enjoy in your outdoor space. To maintain your furniture's condition and longevity, we recommend periodically checking that all components are secure and free from damage. Also, ensure all connectors remain tight over time.

Please retain these instructions for future reference.

### FURNITURE CARE GUIDE

To ensure the longevity of your furniture, we recommend following the care Guidance outlined below:

#### FURNITURE CUSHIONS

- **Storage:** During extended periods of non-use or adverse weather conditions, store your furniture cushions in a dry and well-ventilated indoor space. Ensure all cushions are clean and completely dry before storage.
- **Inspection:** Regularly check cushions for signs of mould, mildew, or damage.
- **Spillage Management:** Address any spills immediately using an absorbent sponge or cloth to prevent staining.

#### TABLE TOPS

- **Protective Measures:** Always use coasters to shield table tops from heat and water marks.
- **Careful Handling:** When tilting the table, exercise caution to avoid loosening the ceramic or glass surface.
- **Immediate Cleanup:** To prevent permanent stains, clean up any spills right away.
- **Cleaning:** we recommend using a glass or multi surface cleaner along with a soft sponge

#### RATTAN & SYNTHETIC ROPE

- **Debris Removal:** Use a soft brush to remove leaves and garden debris. For dirty marks on the rattan, clean with a non-abrasive sponge and lukewarm, detergent-free soapy water, then rinse with fresh water and allow to dry.
- **Protective Cover:** We suggest using a garden furniture cover when your furniture is not in use to keep it clean and protected.

#### ALUMINIUM

- **Cleaning:** Clean the aluminium frame with a non-abrasive sponge and warm soapy water, then rinse with a hose. The powder-coated finish allows for minimal maintenance, and the furniture can be left outside all year round.

By following this care Guidance, you can keep your furniture in prime condition for years to come.

If you have any questions or require further assistance, please do not hesitate to contact us.