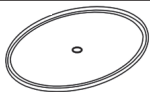

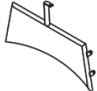




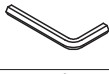





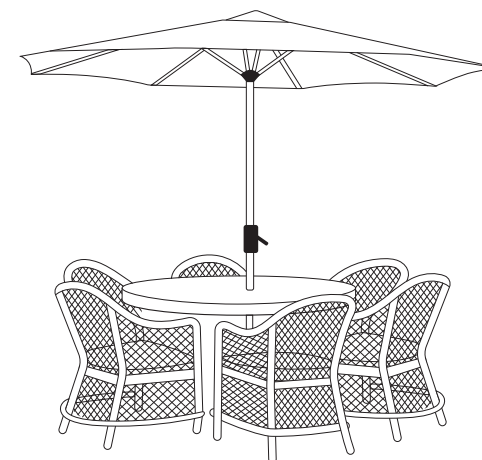
## Parts & Hardware

A		x 1
B		x 2
C		x 2
D		x 1
E		x 1
F		x 18
G		x 12
H		x 1
I		x 1
J		x 1
K		x 6

# Garden Trading®

## Frilford 6 Seater Dining Set Assembly Instructions

Please check that you have all the parts listed before discarding any packaging.



Settling in: A Guide To Your New Furniture

### IMPORTANT

- For ease of assembly, we advise that two people work together, as parts can be heavy.
- Assemble your new furniture on a non-abrasive surface, such as a dust sheet or the original cardboard packaging.

### 1. PREPARATION

- Clear a large, flat area for assembly.
- Unbox all parts and check against the provided parts list.
- Keep small parts out of reach of children.

### 2. ASSEMBLY

- Ensure that all screws and fittings are loosely attached before tightening.
- We advise using only hand tools. Power tools can damage your new furniture.
- Avoid over-tightening screws, as this can lead to damage.
- Ensure the product is fully assembled before use.
- Leg Positioning: Make sure all legs are securely fitted and in full contact with the ground.

### 3. HANDLING

- To move your new furniture, always lift it. To avoid breakages, do not drag pieces across the floor.

### 4. CARE

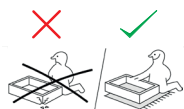
- To maintain the condition of your furniture, avoid using abrasive or corrosive cleaning agents.
- We suggest using a garden furniture cover when your furniture is not in use to keep it clean and protected.

# Garden Trading®

gardentrading.co.uk

customerservices@gardentrading.co.uk

TGTC, Hargreaves Road, Groundwell Industrial Estate, Swindon, SN25 5AZ



## Assembly Advice

- Check Parts First: Before discarding any packaging, make sure all parts are accounted for.
- Complete Before Use: Ensure the product is fully assembled before use.
- Child Safety: Keep small parts out of reach of children.
- Leg Positioning: Make sure all legs are securely fitted and in full contact with the ground.

### YOUR PRODUCT IS NOW READY FOR USE

Your furniture is now ready to enjoy in your outdoor space. To maintain your furniture's condition and longevity, we recommend periodically checking that all components are secure and free from damage. Also, ensure all connectors remain tight over time.

Please retain these instructions for future reference.

### NOTE:

- Part (I) is an adapter and should only be used with non-Frilford-parasols. Frilford parasols have a thicker pole diameter than the industry standard. If using a non-Frilford-parasol, insert this adapter into the top of the parasol base.

### FURNITURE CARE GUIDE

To ensure the longevity of your furniture, we recommend following the care Guidance outlined below:

#### FURNITURE CUSHIONS

- Storage: During extended periods of non-use or adverse weather conditions, store your furniture cushions in a dry and well-ventilated indoor space. Ensure all cushions are clean and completely dry before storage.
- Inspection: Regularly check cushions for signs of mould, mildew, or damage.
- Spillage Management: Address any spills immediately using an absorbent sponge or cloth to prevent staining.

#### TABLE TOPS

- Protective Measures: Always use coasters to shield table tops from heat and water marks.
- Careful Handling: When tilting the table, exercise caution to avoid loosening the ceramic or glass surface.
- Immediate Cleanup: To prevent permanent stains, clean up any spills right away.
- Cleaning: We recommend using a glass or multi surface cleaner along with a soft sponge.

#### RATTAN & SYNTHETIC ROPE

- Debris Removal: Use a soft brush to remove leaves and garden debris. For dirty marks on the rattan, clean with a non-abrasive sponge and lukewarm, detergent-free soapy water, then rinse with fresh water and allow to dry.
- Protective Cover: We suggest using a garden furniture cover when your furniture is not in use to keep it clean and protected.

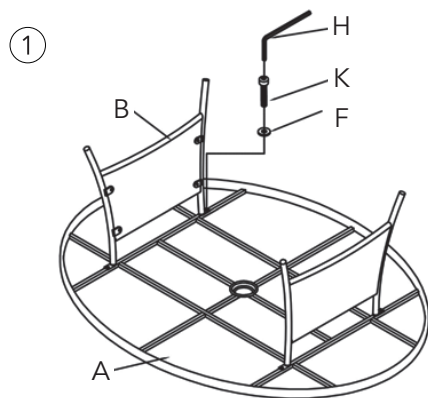
#### ALUMINIUM

- Cleaning: Clean the aluminium frame with a non-abrasive sponge and warm soapy water, then rinse with a hose. The powder-coated finish allows for minimal maintenance, and the furniture can be left outside all year round.

#### PARASOLS

- Supervision Required: Do not leave open parasols unattended. Always close and store parasols when not in use or during inclement weather, particularly in windy conditions.
- Storage: When the canopy is dry, close the parasol and cover it with a parasol cover. During long periods of non-use, store the parasol in a dry and well-ventilated indoor space.

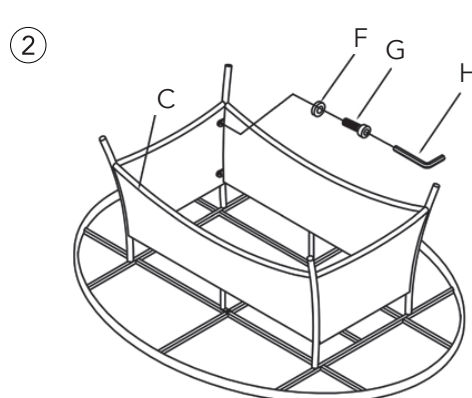
By following this care Guidance, you can keep your furniture in prime condition for years to come. If you have any questions or require further assistance, please do not hesitate to contact us.



①

#### Step 1: Attach the Legs

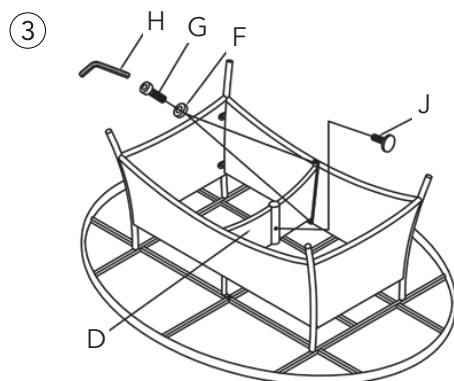
- Place the tabletop upside down on a soft surface to protect it from damage.
- Using screws (K) and washers (F), attach the legs to the underside of the table. Loosely tighten the screws for now.



②

#### Step 2: Attach the Rattan Panels

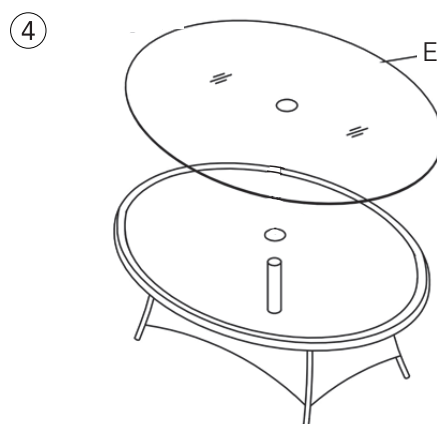
- Align the rattan panels with the holes in the table legs.
- Use screws (G) and washers (F) to loosely secure the panels to the legs as shown in the diagram.



③

#### Step 3: Add the Central Support Bar

- Attach the central support bar to the rattan panels using screws (G) and washers (F).
- Once the central support bar is in place, go back and tighten all the screws that were previously left loose, ensuring everything is secure.



④

#### Step 4: Final Setup

- Carefully turn the table right-side up onto its feet.
- Place the safety glass onto the tabletop.
- Attach the parasol insert and cap (J) if you intend to use a parasol.