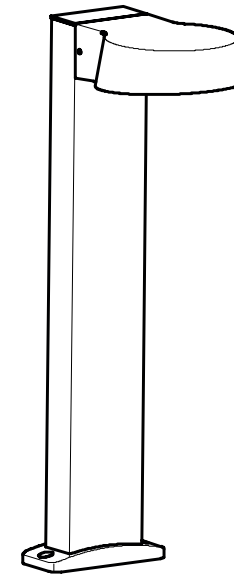


# Garden Trading®

## Litcham Path Light Installation Instructions

---

Please read through these instructions carefully and retain them for future reference. Kindly note that this fitting has an integrated LED bulb. The LED bulb is not replaceable. Standard screws are included, however these won't be suitable for all surfaces. Please ensure you source and use the correct screws for the surface you are mounting this light onto. Please note, we do not provide replacement or alternative screws.



### Safety Information for lights that require wiring in:

1. It is recommended that your light fitting is installed by a qualified electrician.
2. Your new light should be fitted in accordance with current UK Buildings and Wiring Regulations.
3. Before attempting installation or maintenance, ensure your mains power is switched off and that other persons cannot restore the electricity supply without your knowledge.
4. If in doubt regarding any aspect of the installation process, please consult a qualified electrician.
5. To avoid causing damage to concealed wiring during installation, establish the direction of the supply cable before drilling fixing holes.
6. Extra holes should not be drilled into the fitting's back plate as this may cause it to crack and break under pressure.
7. This fitting should be installed to a lighting supply with a protected 5-amp fuse or equivalent circuit breaker.
8. If the light source is not replaceable; when it reaches its end of life, the whole luminaire should be replaced.
9. Please ensure the fitting is installed in a location where it will not become a trip hazard

Garden Trading®

[gardentrading.co.uk](http://gardentrading.co.uk)

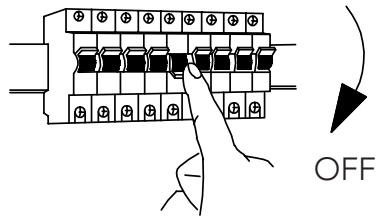
[customerservices@gardentrading.co.uk](mailto:customerservices@gardentrading.co.uk)

TGTC, Hargreaves Road, Groundwell Industrial Estate, Swindon, SN25 5AZ

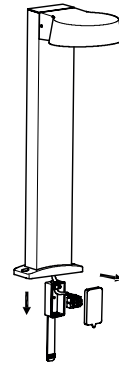
## Installation

- Please read through these instructions carefully before proceeding.
- This fitting is IP54 rated for outdoor use.

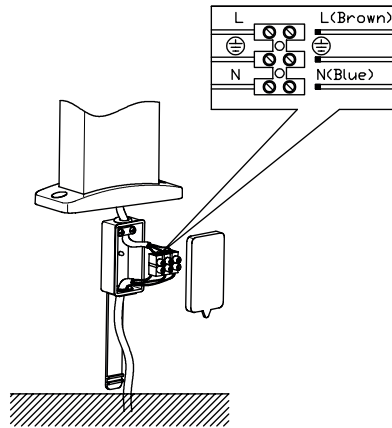
①



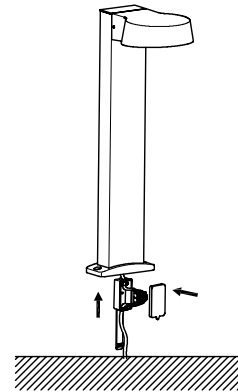
②



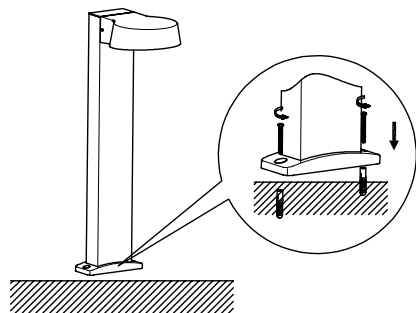
③



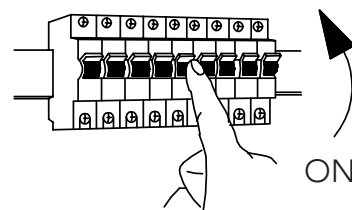
④



⑤



⑥



## Extra Information

1. Once these instructions have been correctly followed, the mains can be reconnected and your light fitting will be ready for use.
2. We recommend cleaning your light fitting with a soft dry cloth. Don't use abrasive materials, this may affect the finish and therefore void its warranty.
3. Waste electrical products should not be disposed of with household waste. Please recycle where facilities exist. Check with your Local Authority or retailer for recycling advice.

## Household Circuit Information

Household Circuit	Connects to	Fitting Wire Colour
Blue or Black (Neutral)	>	Neutral 'N'
Green/Yellow-sleeved Copper (Earth)	>	Green/Yellow
Brown or Red – Switched Live	>	Live 'L'

## Check that...

- You have correctly identified the house wires.
- All connections are tight.
- No loose strands have been left out of the connection block.