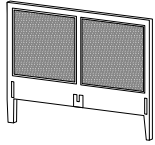
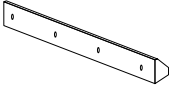

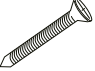


## Parts & Hardware Included

A		x 1 PC
B		x 2 PC
C	 Fischer S6	x 8 PC
D	 1 1/4"	x 8 PC

## Tools Required

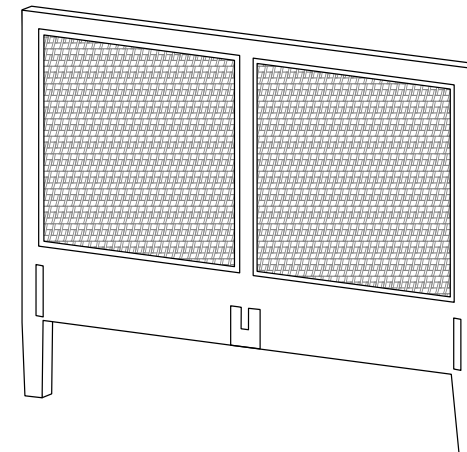
Tape Measure  
Pencil  
Screwdriver  
Hammer  
Drill and Suitable Drill Bit

# Garden Trading®

## Chesterton Headboard Assembly Instructions

Please read through these instructions and ensure they are kept for future reference.  
All parts and hardware are listed on the back of this guide.

**WHEN ASSEMBLING THIS PRODUCT PLEASE PLACE PARTS  
ON A SOFT SURFACE TO AVOID DAMAGE OR SCRATCHES.**



## Care Instructions

This product is made from Bayur Wood. Wood is a natural material and natural colour variances may occur.

To keep your bed clean, we advise dusting regularly with a small brush. Any marks should be wiped clean with a damp cloth immediately in the direction of the grain.

To preserve its condition and avoid fading over time, avoid exposing your furniture to direct sunlight. Discolouration may occur and cause the wood to crack.

We recommend keeping your headboard away from heat sources like fireplaces or radiators - plus moisture - to prevent warping.

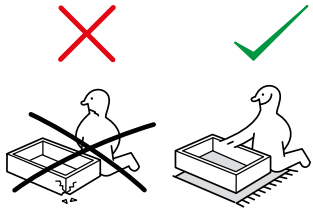
Please do not drag the furniture, we recommend to always lift it to move, avoiding any breakages.

# Garden Trading®

[gardentrading.co.uk](http://gardentrading.co.uk)

[customerservices@gardentrading.co.uk](mailto:customerservices@gardentrading.co.uk)

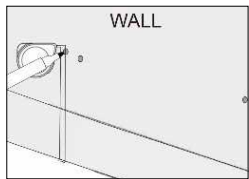
TGTC, Hargreaves Road, Groundwell Industrial Estate, Swindon, SN25 5AZ



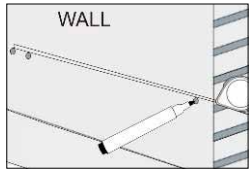
### Installation Instructions

The French cleat must be attached to a concrete wall using the screws and fischer.

①

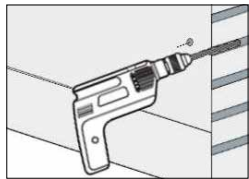


**Mark French Cleat Position:**  
Measure where the French cleat needs to be placed on the concrete wall using the measurements taken for the French cleat holes on the back of the furniture.



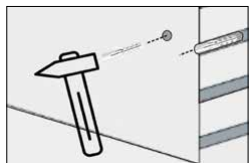
Mark the position on the concrete wall where there the French cleat needs to be placed.

②



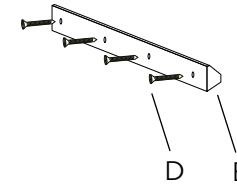
**Drill Holes:**  
Drill a hole in the concrete wall at the marked positions according to the recommended size for your fischer (size S6) or wall plug.

③



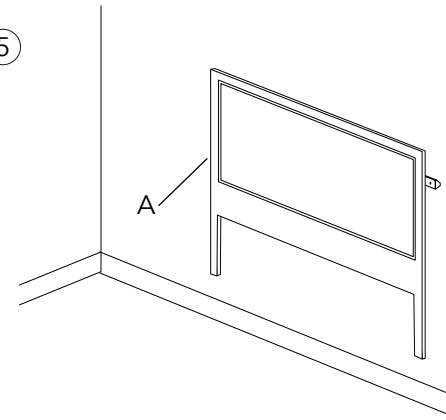
**Attached Fischer/Wall Plug:**  
Attached fischer/wall plug to concrete wall using a hammer.

④



**Install Bracket:**  
Locate the plug hole on the concrete wall. Attach the bracket using the 1¼" screws through the smaller hole.

⑤



**Position Furniture:**  
Place the furniture into position so both brackets are aligned.

Note: Before drilling, check for hidden pipes and cables in the wall in order to avoid them.

Any damage incurred to the furniture or the concrete wall as a result of improper installation of this restraint will be the responsibility of the owner.

