



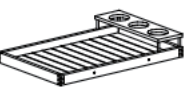

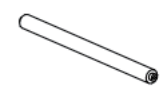




Parts & Hardware

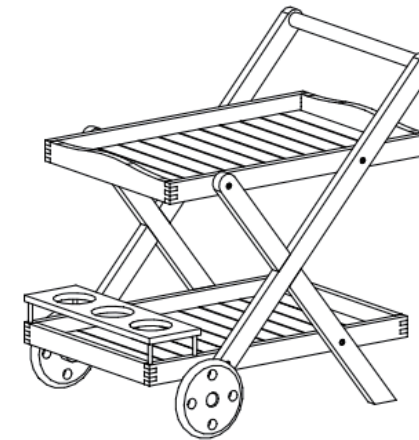
A		x 1 PC	F		x 8 PC
B		x 1 PC	G		x 2 PC
C		x 1 PC	H		x 1 PC
D		x 1 PC	I		x 1 PC
E		x 1 PC			

Garden Trading®

Radley Bistro Cart Assembly Instructions

Please read through these instructions and ensure they are kept for future reference.
All parts and hardware are listed on the back of this guide.

WHEN ASSEMBLING THIS PRODUCT PLEASE PLACE PARTS ON A SOFT SURFACE TO AVOID DAMAGE OR SCRATCHES.



Care Instructions

This product is made from Teak wood. Teak is a natural material and natural colour variances may occur. In case of any spillages, immediately wipe down the affected area with a damp cloth to prevent any stains. Always use place mats and coasters, to prevent scratching, heat rings and water marks. Do not place hot or cold items directly onto your furniture.

We advise against the use of abrasive or corrosive cleaning agents as discolouration may occur and cause the wood to crack.

Please avoid positioning your furniture on uneven surfaces.

To avoid fading over time, do not expose your furniture to direct sunlight.

To prevent any damage to your bistro cart, we advise against the use of power tools to assemble.

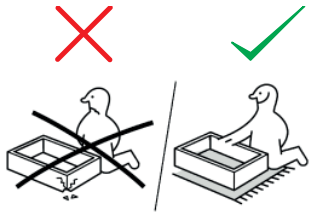
Whilst suitable for indoor and outdoor use, we recommend storing your furniture inside or undercover to preserve its condition during the winter months.

Garden Trading®

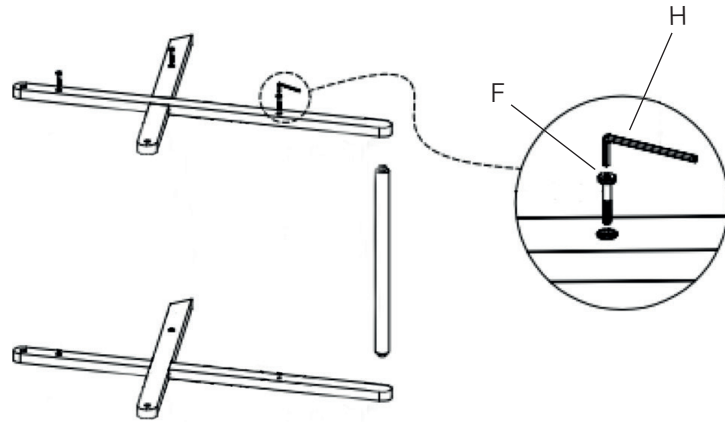
gardentrading.co.uk

customerservices@gardentrading.co.uk

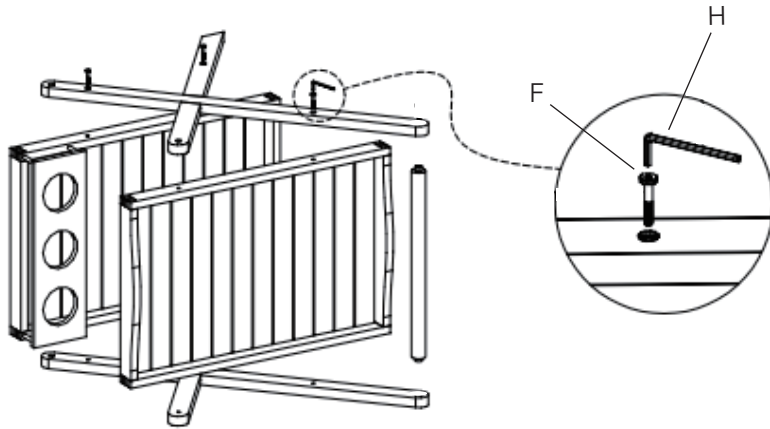
TGTC, Hargreaves Road, Groundwell Industrial Estate, Swindon, SN25 5AZ



①



②



③

