

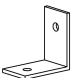



## Table Parts & Hardware

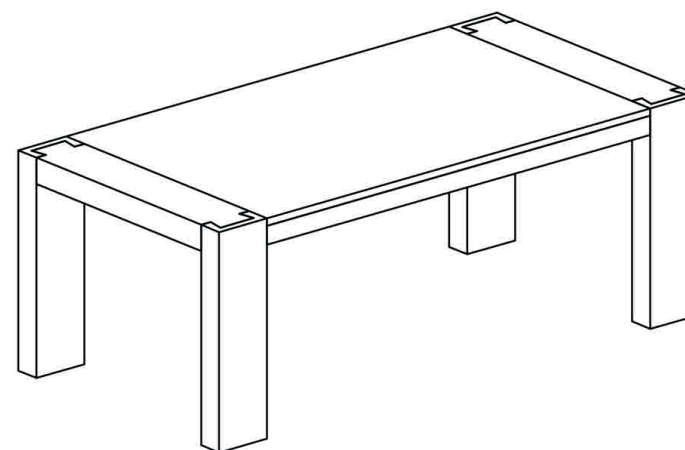
A		x 6 PC
B		x 8 PC
C		x 4 PC
D		x 1 PC

# Garden Trading®

## Chisbury Dining Table | Small Assembly Instructions

Please read through these instructions and ensure they are kept for future reference.  
All parts and hardware are listed on the back of this guide.

**WHEN ASSEMBLING THIS PRODUCT PLEASE PLACE PARTS  
ON A SOFT SURFACE TO AVOID DAMAGE OR SCRATCHES.**



### Care Instructions

Wipe clean with a damp cloth, in the direction of the grain.

Pine wood is a natural material so colour variances may occur.

For protection against marking, table mats or cloths should always be used.

Ensure table is not positioned near a direct heat source such as a radiator.

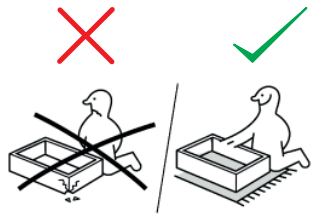
Never drag furniture – always lift it.

# Garden Trading®

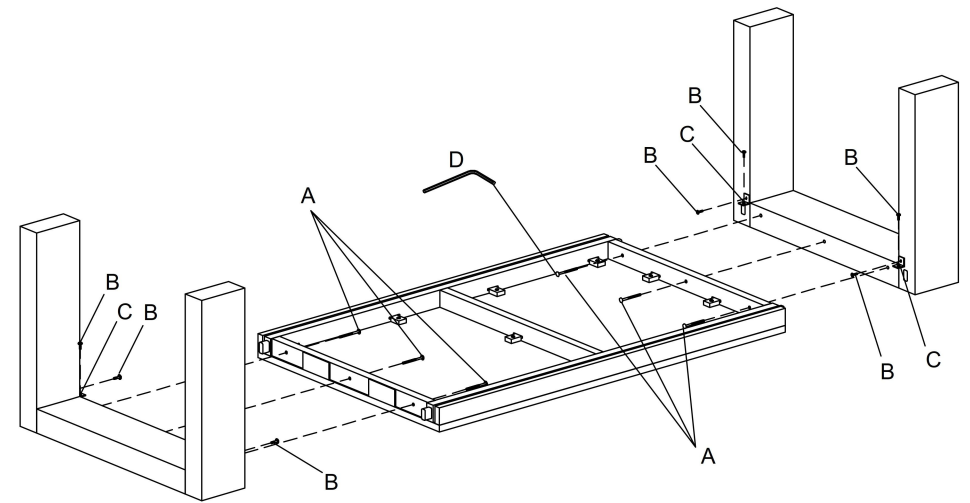
[gardentrading.co.uk](http://gardentrading.co.uk)

[customerservices@gardentrading.co.uk](mailto:customerservices@gardentrading.co.uk)

TGTC Ltd, Hargreaves Road, Groundwell Industrial Estate, Swindon, SN25 5AZ



①



FIX THE LEGS WITH THE  
TOP USING A & B SCREWS