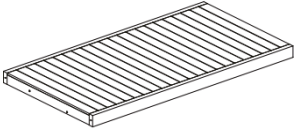
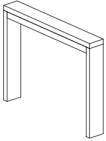


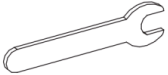




Parts & Hardware

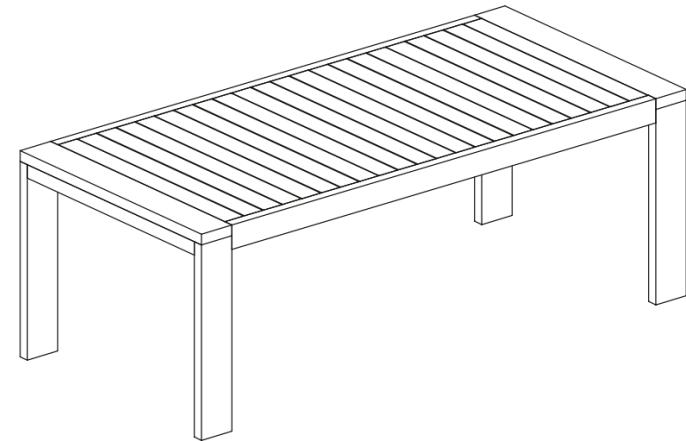
A		x 1
B		x 2
C	 - Threaded Rod - Half Moon Washer Nut - Nut	x 4
D	 - Hex Bolt	x 8
E		x 1
F		x 8
G		x 16

Garden Trading®

Radley Outdoor Dining Table Assembly Instructions

Please read through these instructions and ensure they are kept for future reference.
All parts and hardware are listed on the back of this guide.

WHEN ASSEMBLING THIS PRODUCT PLEASE PLACE PARTS ON A SOFT SURFACE TO AVOID DAMAGE OR SCRATCHES.



Care Instructions

We recommend assembling your table on a non-abrasive surface such as a dust sheet or the original cardboard packaging.

Please avoid positioning your furniture on uneven surfaces.

To avoid fading over time, do not expose your furniture to direct sunlight.

We advise against the use of abrasive or corrosive cleaning agents as discolouration may occur.

In the event of any spills, wipe them immediately with a damp cloth.

To prevent any damage to your table, we advise against the use of power tools to assemble.

Please do not drag the furniture, we recommend to always lift it to move, avoiding any breakages.

Always use place mats and coasters, to prevent scratching, heat rings and water marks. Do not place hot or cold items directly onto your furniture.

Whilst suitable for indoor and outdoor use, we recommend storing your furniture inside or undercover to preserve its condition during the winter months.

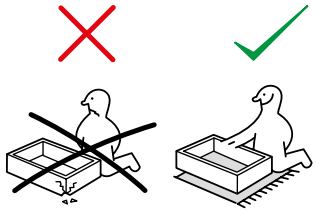
We advise that two people assemble the product together. Parts can be heavy.

Garden Trading®

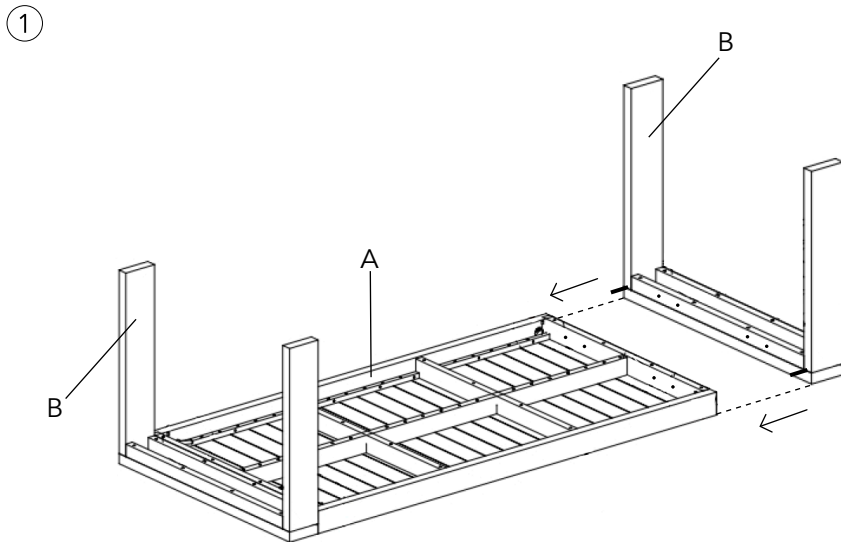
gardentrading.co.uk

customerservices@gardentrading.co.uk

TGTC, Hargreaves Road, Groundwell Industrial Estate, Swindon, SN25 5AZ



Tools required: Spanner provided. Finger-tighten only where indicated.
Please pay attention to the code printed on the table top and legs.

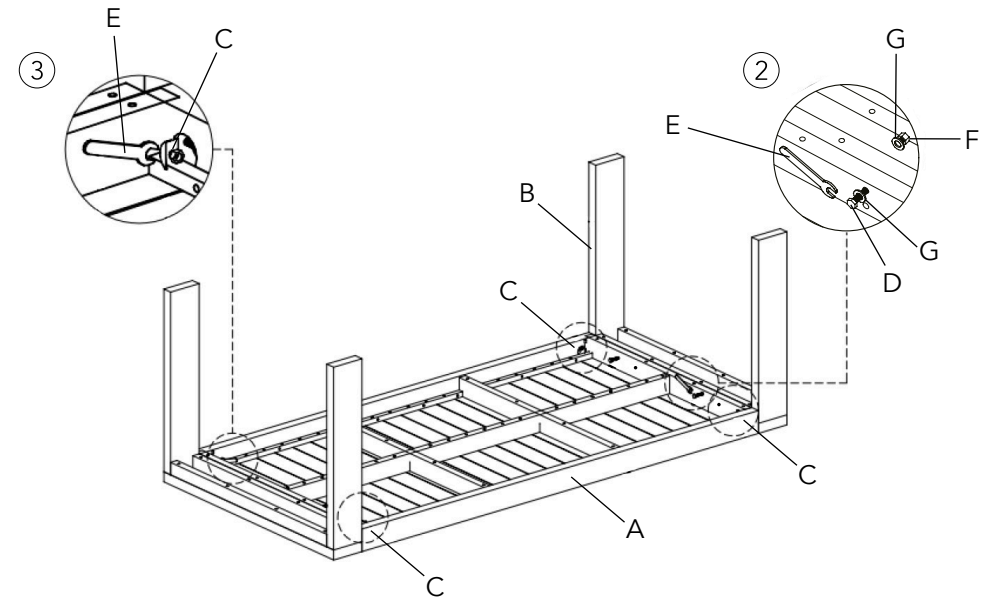


Step 1: Attach the Table Legs

1. Take both pairs of legs (part B) and align them correctly with each end of the table top (part A).
2. Slot the leg into place at each end of the table.

Step 2: Secure the Legs to the Table

1. Insert a washer (part G) onto each hex bolt (part D).
2. Slot the hex bolt (part D) through the holes on part B and into part A (there are 8 holes in total).
3. Once the bolt passes through parts A and B, place another washer (part G) onto the end of each bolt.
4. Thread a nut (part F) onto the bolt to secure it.
5. Secure the nut with your fingers first, then fully tighten it using the provided spanner.



Step 3: Secure the Table in Each Corner

1. Locate the circular holes in each of the four corners on part B.
2. First, remove the half-washer from the threaded rod (part C) and insert it through each circular hole until in position.
3. Then, reattach the half-moon washer to the threaded rod (part C), ensuring it sits neatly in the circular hole.
4. Add one washer (part G) to the threaded rod and finger-tighten it as much as possible.
5. Use the spanner (part E) to tighten the rod securely.

Tip: Double-check all connections for tightness before use.

