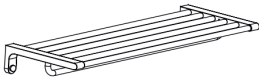





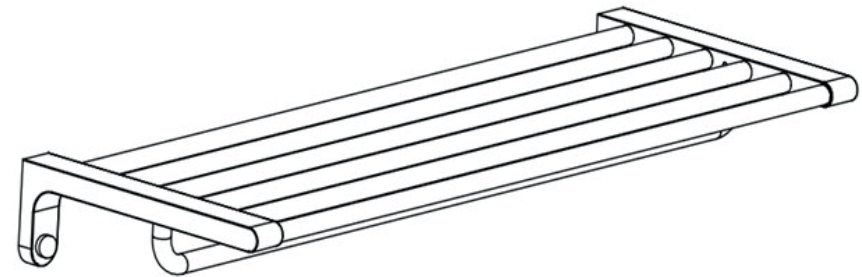
Wall Shelf Parts & Hardware

A		x 1 PC
B		x 2 PCs
C		x 2 PCs
D		x 1 PC

Garden Trading®

Adelphi Wall Shelf Assembly Instructions

Please read through these instructions and ensure they are kept for future reference.
All parts and hardware are listed on the back of this guide.



Customer Services:

gardentrading.co.uk

+44 (0)1993 845 559

customerservices@gardentrading.co.uk

Opening Hours: Monday - Friday: 8.30am - 5.30pm (Friday close at 5.00pm)

The Garden Trading Company Ltd, Carterton South Industrial Estate, Black Bourton Road, Carterton, Oxon, OX18 3EZ

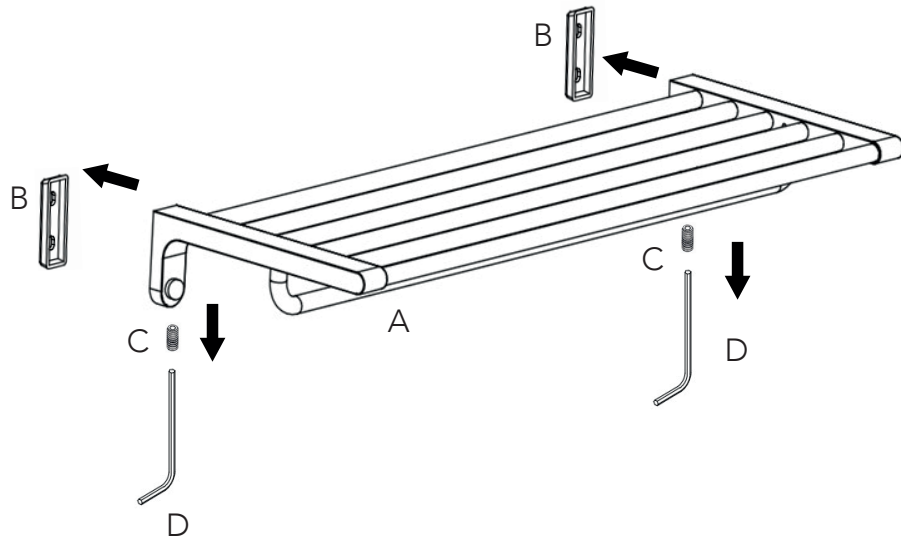
Garden Trading®

Care Instructions

Do not use abrasive cleaners or cleaners containing bleach. To prevent corrosion ensure the product does not come into prolonged contact with water. Wipe away excess moisture. Shelf maximum weight limit 5kgs.

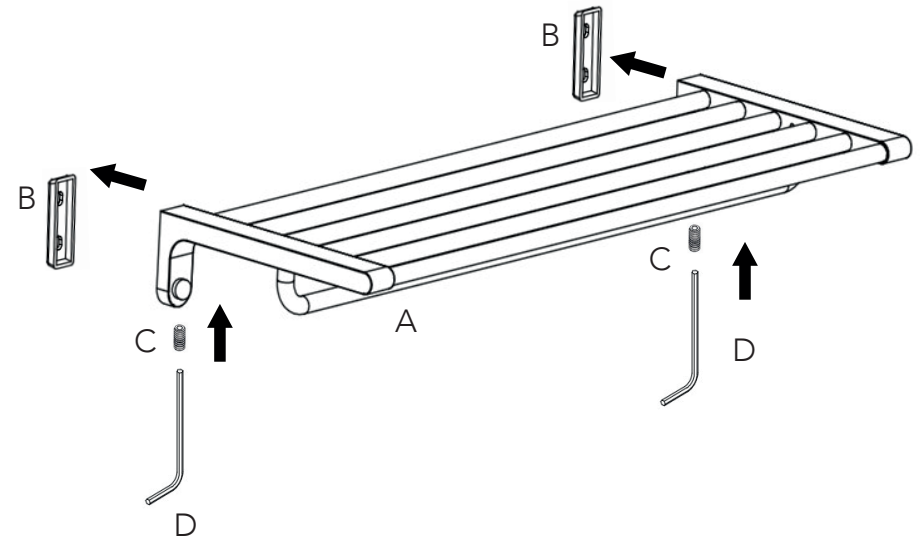
Step 1

Use the alan key to unfasten screw (C) to remove wall attachment (B) from product (A).



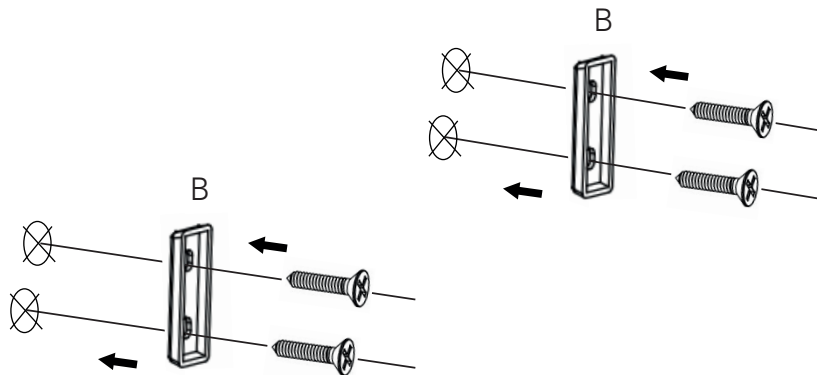
Step 3

Secure product (A) to wall attachment (B) by tightening screw (C) with the alan key provided.



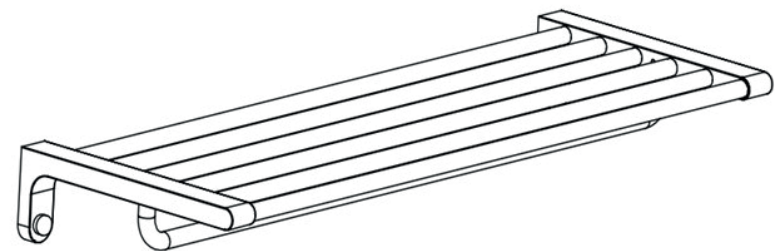
Step 2

Use wall attachment (B) to mark position of drill holes on the wall. Secure wall attachment to wall using the appropriate fixings. Wall fixings are not included.



Step 4

Check to ensure that all screws are securely fixed.



Warning: Always ensure the area being drilled is free from hidden electrical wires, water and gas pipes. Ensure wall plugs used are suitable for your wall type. If in doubt, consult a qualified tradesperson.