


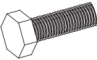

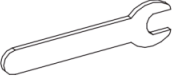


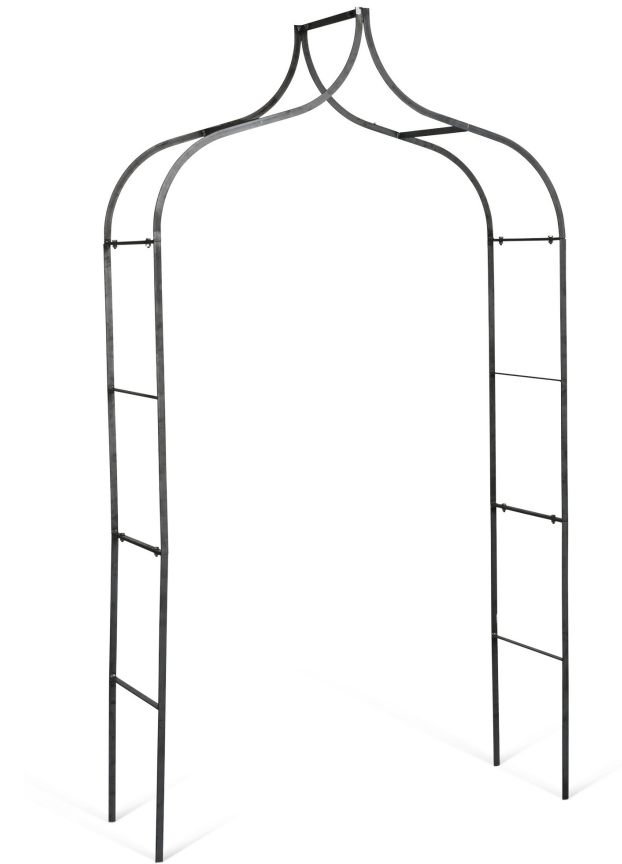
## Parts & Hardware

A		x 2 PC
B		x 2 PC
C		x 2 PC
D		x 10 PC
E		x 10 PC
F	 *Not included, but required	x 1 PC

# Garden Trading®

## Farringdon Rose Arch Assembly Instructions

Please read through these instructions and ensure they are kept for future reference.  
All parts and hardware are listed on the back of this guide.



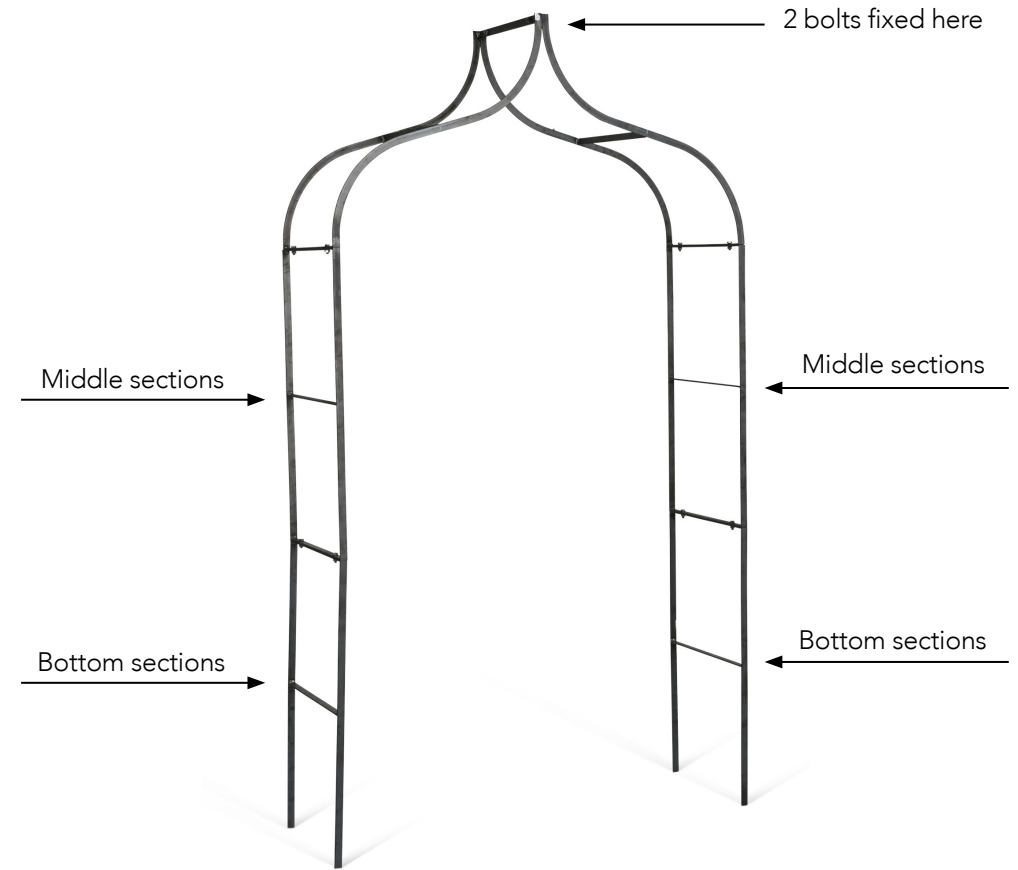
# Garden Trading®

[gardentrading.co.uk](http://gardentrading.co.uk)

[customerservices@gardentrading.co.uk](mailto:customerservices@gardentrading.co.uk)

Garden Trading, Hargreaves Road, Groundwell Industrial Estate, Swindon, SN25 5AZ

- ① This arch arrives in six sections – three for each side of the arch.
- ② Please lay out the arch on the ground and fix the top edge of the two arched pieces together using two bolts provided. Slot these through the predrilled holes and add a bolt underneath to secure in place. These will need to be tightened with a spanner.
- ③ Once this is done attach the middle section of the arch into the upper section on each side. The predrilled holes will need to be aligned correctly before slotting in the screw and bolt to secure. Repeat this step to attach the bottom and final section.
- ④ With two people you can now lift the rose arch upright and move it into position.



This Farrington Rose Arch is made from solid uncoated steel rods, designed to weather to a rusted finish over time and exposure outdoors.