





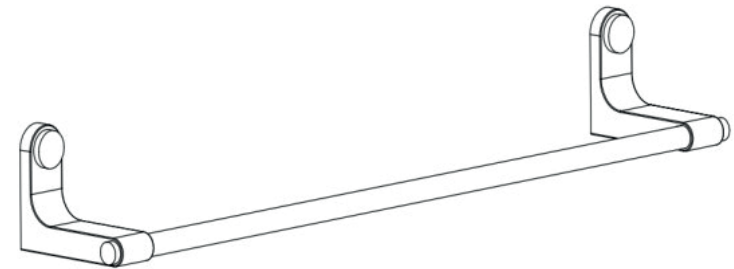
Towel Rail Parts & Hardware

A		x 1 PC
B		x 2 PCs
C		x 2 PCs
D		x 1 PC

Garden Trading®

Adelphi Towel Rail - Large Assembly Instructions

Please read through these instructions and ensure they are kept for future reference.
All parts and hardware are listed on the back of this guide.



Customer Services:

gardentrading.co.uk

+44 (0)1993 845 559

customerservices@gardentrading.co.uk

Opening Hours: Monday - Friday: 8.30am - 5.30pm (Friday close at 5.00pm)

The Garden Trading Company Ltd, Carterton South Industrial Estate, Black Bourton Road, Carterton, Oxon, OX18 3EZ

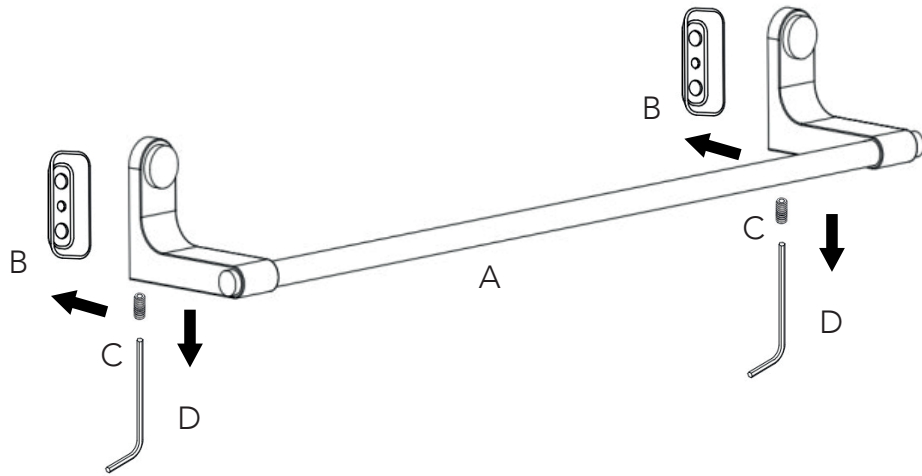
Garden Trading®

Care Instructions

Do not use abrasive cleaners or cleaners containing bleach. To prevent corrosion ensure the product does not come into prolonged contact with water. Wipe away excess moisture.

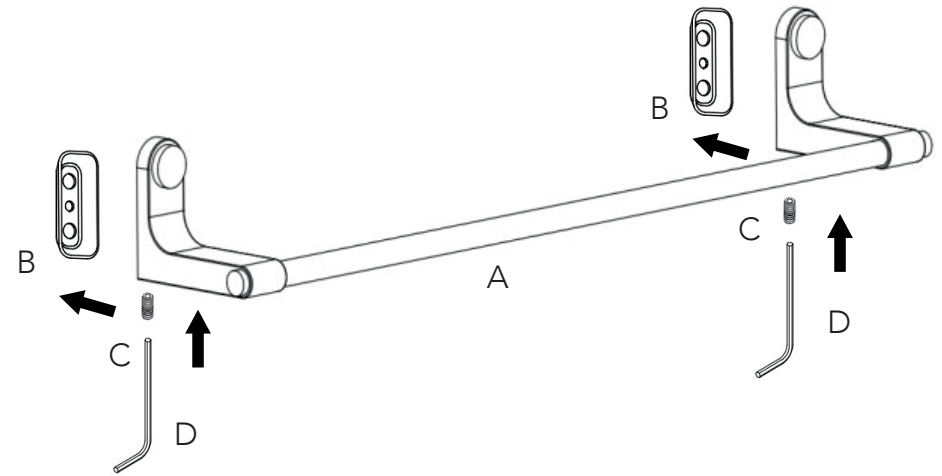
Step 1

Use the alan key to unfasten screw (C) to remove wall attachment (B) from product (A).



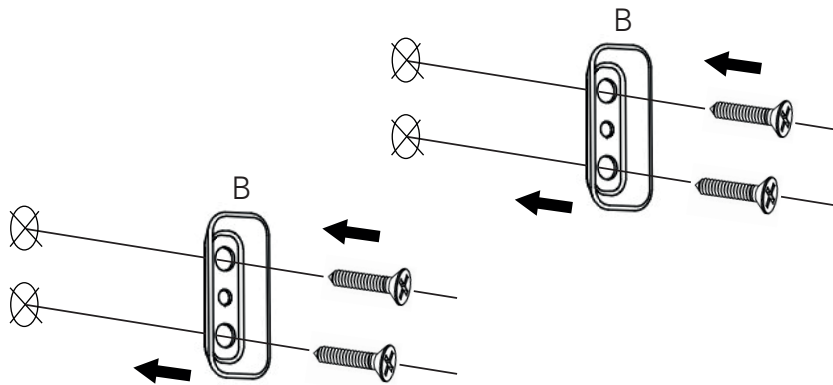
Step 3

Secure product (A) to wall attachment (B) by tightening screw (C) with the alan key provided.



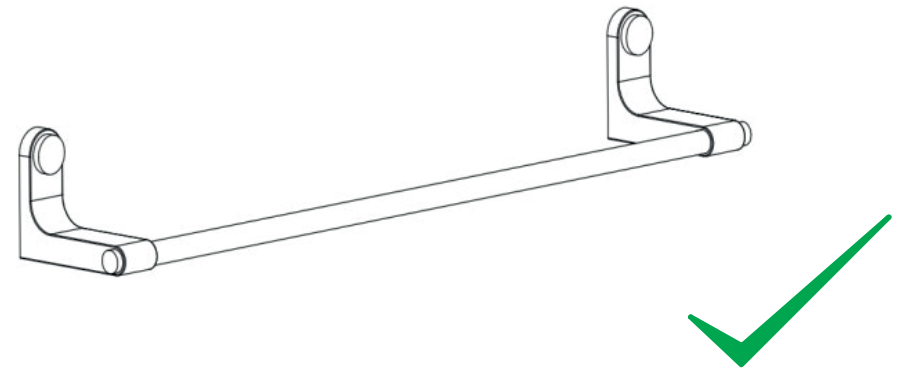
Step 2

Use wall attachment (B) to mark position of drill holes on the wall. Secure wall attachment to wall using the appropriate fixings. Wall fixings are not included.



Step 4

Check to ensure that all screws are securely fixed.



Warning: Always ensure the area being drilled is free from hidden electrical wires, water and gas pipes. Ensure wall plugs used are suitable for your wall type. If in doubt, consult a qualified tradesperson.