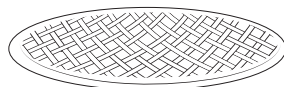






## Parts & Hardware

A		x 1
B		x 3
C		x 1
D		x 3 PC 6 x 35mm
E		x 6 PC 8 x 30mm

# Garden Trading®

## Marcham Bistro Set Assembly Instructions

Please check that you have all the parts listed before discarding any packaging.



Settling in: A Guide To Your New Furniture

### IMPORTANT

- For ease of assembly, we advise that two people work together, as parts can be heavy.
- Assemble your new furniture on a non-abrasive surface, such as a dust sheet or the original cardboard packaging.

### 1. PREPARATION

- Clear a large, flat area for assembly.
- Unbox all parts and check against the provided parts list.

### 2. ASSEMBLY

- Ensure that all screws and fittings are loosely attached before tightening.
- We advise using only hand tools. Power tools can damage your new furniture.
- Avoid over-tightening screws, as this can lead to damage.

### 3. HANDLING

- To move your new furniture, always lift it. To avoid breakages, do not drag pieces across the floor.

### 4. CARE

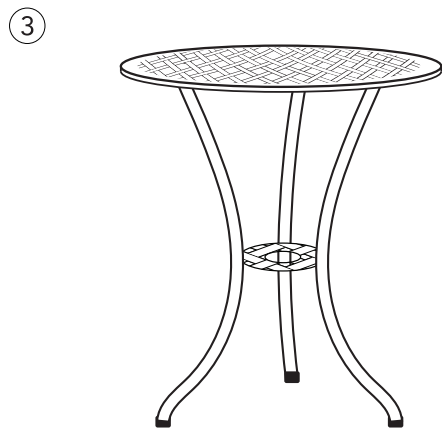
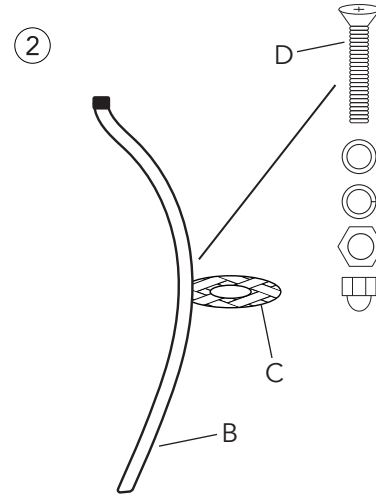
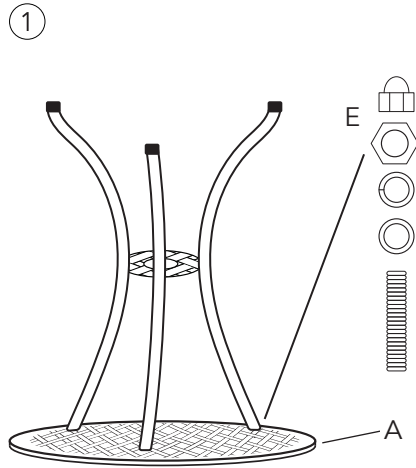
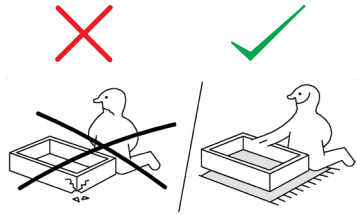
- To maintain the condition of your furniture, avoid using abrasive or corrosive cleaning agents.
- We suggest using a garden furniture cover when your furniture is not in use to keep it clean and protected.

# Garden Trading®

gardentrading.co.uk

customerservices@gardentrading.co.uk

TGTC, Hargreaves Road, Groundwell Industrial Estate, Swindon, SN25 5AZ



## Assembly Guidance

1. Prepare Your Workspace: To protect the finish of your new furniture, assemble the table on a clean, soft surface such as a piece of carpet or a blanket.
2. Unpack with Care: Upon arrival, carefully remove all packaging materials. Take care when removing packaging to avoid damaging the surfaces of your furniture.
3. Check All Parts: Before assembly, ensure all parts are accounted for by checking them against the provided parts list.
4. Gentle Tightening Required: Please avoid over-tightening screws or bolts, as aluminium is a soft metal. Over-tightening can strip threads or break parts.
5. Step-by-Step Assembly: Begin by finger-tightening all nuts, then use a spanner or socket for the final tightening to complete the assembly securely.

## Assembly Instructions

### Step 1: Attach the Legs to the Tabletop

- Connect the legs (B) to the tabletop (A) using the bolts (E). At this stage, do not fully tighten the bolts.

### Step 2: Attach the Support Ring

- Connect the support ring (C) to the legs (B) using the bolts (D). Again, do not fully tighten the bolts.

### Step 3: Final Tightening

- Once all parts are connected, securely tighten all bolts to ensure stability. Your table is now ready for use.

## Furniture Care Advice

### FURNITURE CUSHIONS

- Storage: During extended periods of non-use or adverse weather conditions, store your furniture cushions in a dry and well-ventilated indoor space. Ensure all cushions are clean and completely dry before storage.
- Inspection: Regularly check cushions for signs of mould, mildew, or damage from animals.
- Spillage Management: Address any spills immediately using an absorbent sponge or cloth to prevent staining.

