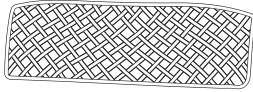
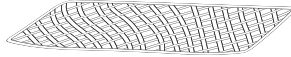






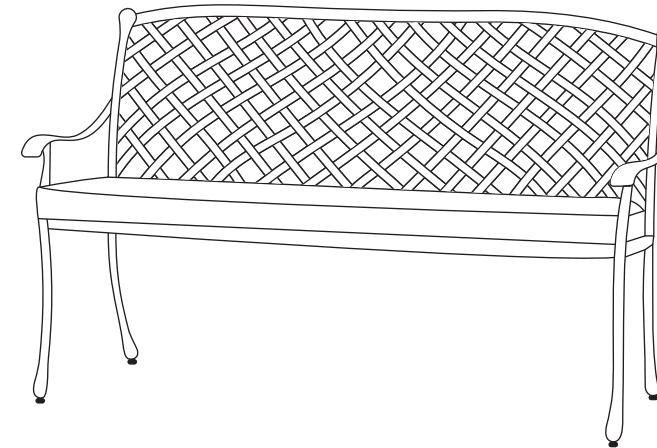
Parts & Hardware

A		x 1
B		x 1
C		x 1
D		x 1
E		x 4 Screw Set 8 x 35mm
F		x 4 Screw Set 8 x 40mm

Garden Trading®

Marcham Bench Assembly Instructions

Please check that you have all the parts listed before discarding any packaging.



Settling in: A Guide To Your New Furniture

IMPORTANT

- For ease of assembly, we advise that two people work together, as parts can be heavy.
- Assemble your new furniture on a non-abrasive surface, such as a dust sheet or the original cardboard packaging.

1. PREPARATION

- Clear a large, flat area for assembly.
- Unbox all parts and check against the provided parts list.

2. ASSEMBLY

- Ensure that all screws and fittings are loosely attached before tightening.
- We advise using only hand tools. Power tools can damage your new furniture.
- Avoid over-tightening screws, as this can lead to damage.

3. HANDLING

- To move your new furniture, always lift it. To avoid breakages, do not drag pieces across the floor.

4. CARE

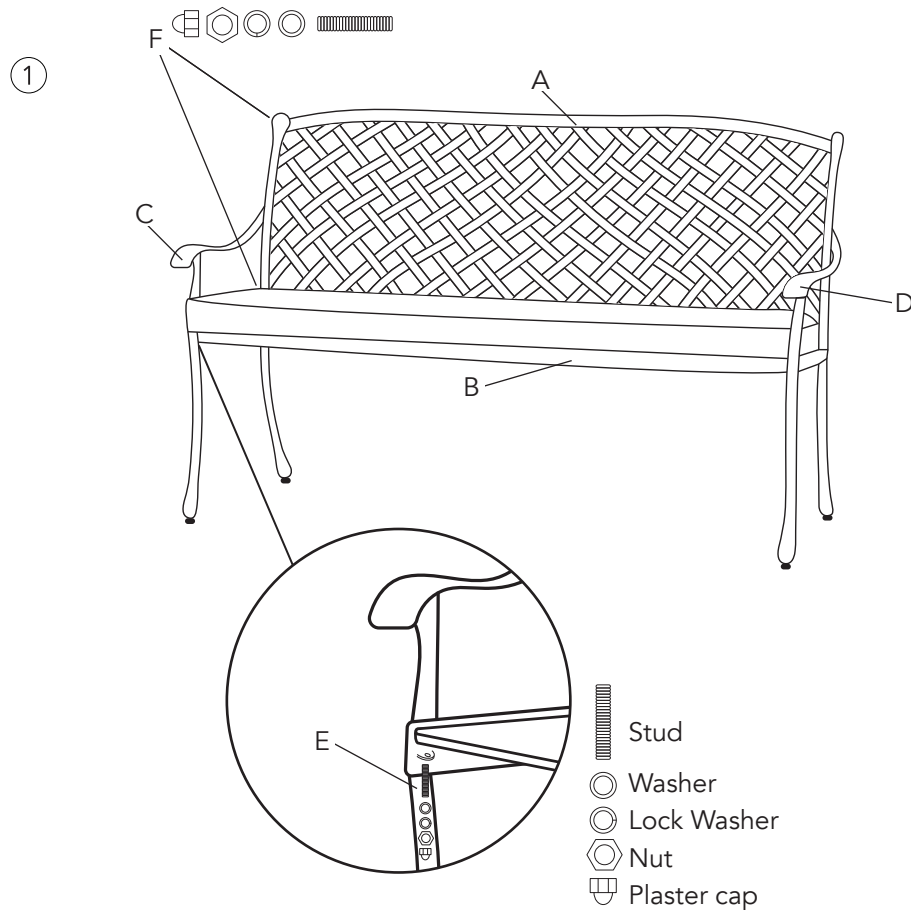
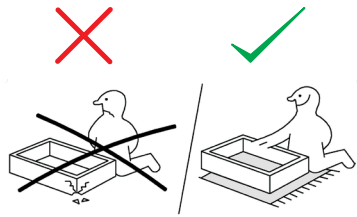
- To maintain the condition of your furniture, avoid using abrasive or corrosive cleaning agents.
- We suggest using a garden furniture cover when your furniture is not in use to keep it clean and protected.

Garden Trading®

gardentrading.co.uk

customerservices@gardentrading.co.uk

TGTC, Hargreaves Road, Groundwell Industrial Estate, Swindon, SN25 5AZ



Assembly Guidance

1. Prepare Your Workspace: To protect the finish of your new furniture, assemble the bench on a clean, soft surface such as a piece of carpet or a blanket.
2. Unpack with Care: Upon arrival, carefully remove all packaging materials. Take care when removing packaging to avoid damaging the surfaces of your furniture.
3. Check All Parts: Before assembly, ensure all parts are accounted for by checking them against the provided parts list.
4. Gentle Tightening Required: Please avoid over-tightening screws or bolts, as aluminium is a soft metal. Over-tightening can strip threads or break parts.
5. Step-by-Step Assembly: Begin by finger-tightening all nuts, then use a spanner or socket for the final tightening to complete the assembly securely.

Assembly Instructions

IMPORTANT: DO NOT USE A DRILL DURING ASSEMBLY.

Step 1: Assemble the Seat

- Insert the studs with a washer (E) into the Seat (B) using a screwdriver.
- Attach the Legs (C) to the Seat (B), and then fit the washer (E), lock washer (E), and nut (E).
- Hand-tighten the nuts only at this stage.

Step 2: Assemble the Back

- Insert the studs with a washer (F) into the Back (A) using a screwdriver.
- Attach the Legs (C) to the Back (A), and then fit the washer (F), lock washer (F), and nut (F).
- Hand-tighten the nuts only.

Step 3: Final Tightening

- Once all parts are assembled, use a spanner to tighten all nuts, being careful not to over-tighten.
- Finally, attach all the plastic caps.
- Your bench is now ready for use. If needed, adjust the plastic feet to ensure the bench is level.

Furniture Care Advice

FURNITURE CUSHIONS

- Storage: During extended periods of non-use or adverse weather conditions, store your furniture cushions in a dry and well-ventilated indoor space. Ensure all cushions are clean and completely dry before storage.
- Inspection: Regularly check cushions for signs of mould, mildew, or damage from animals.
- Spillage Management: Address any spills immediately using an absorbent sponge or cloth to prevent staining.

